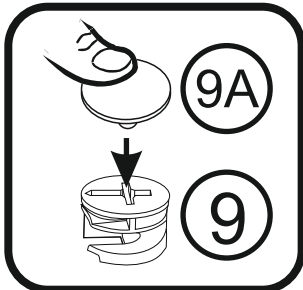
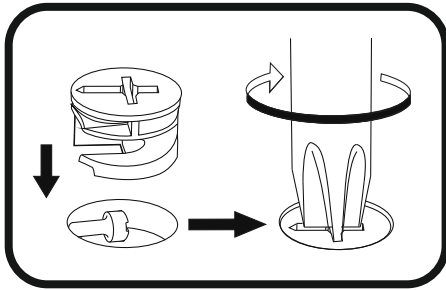
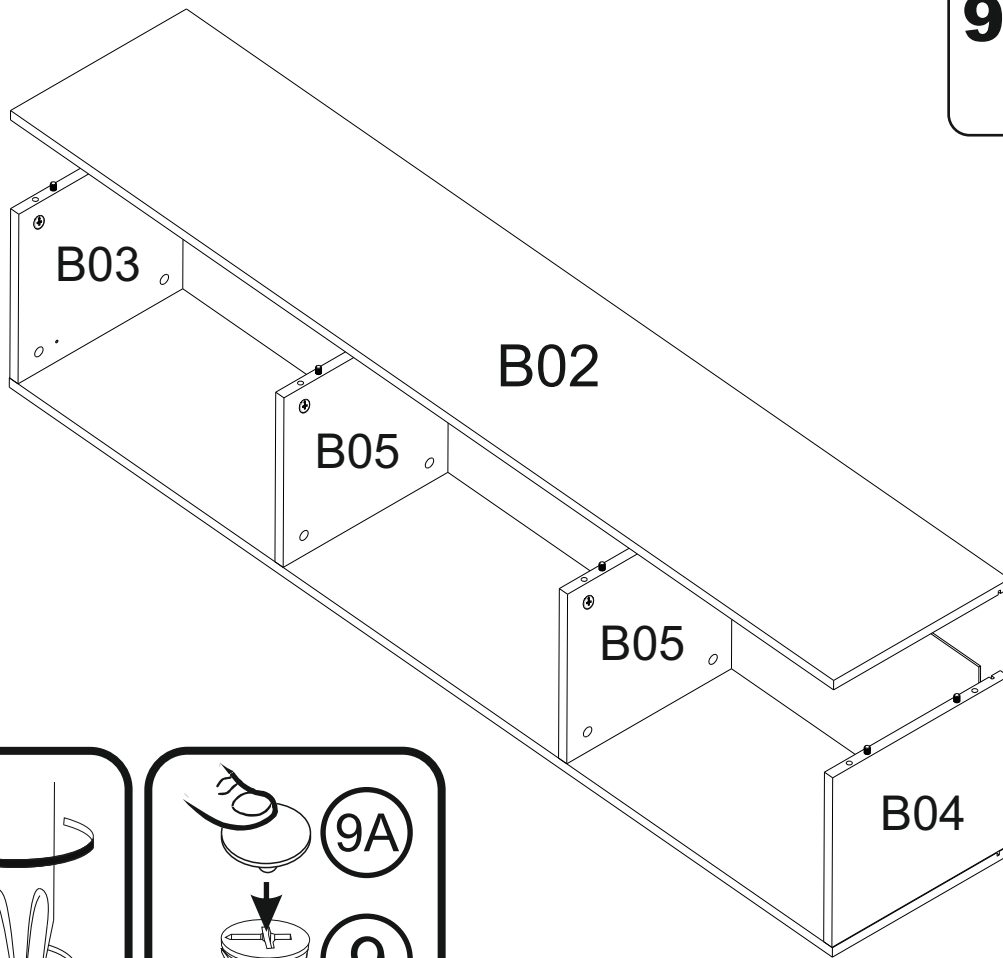
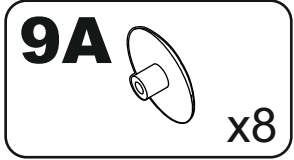
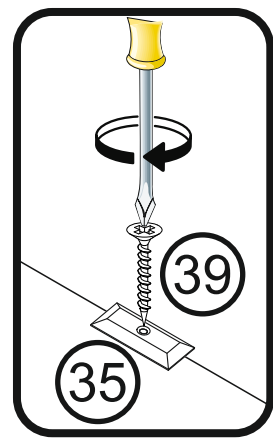
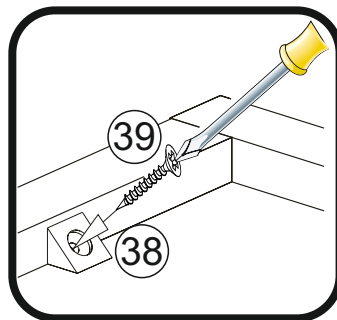
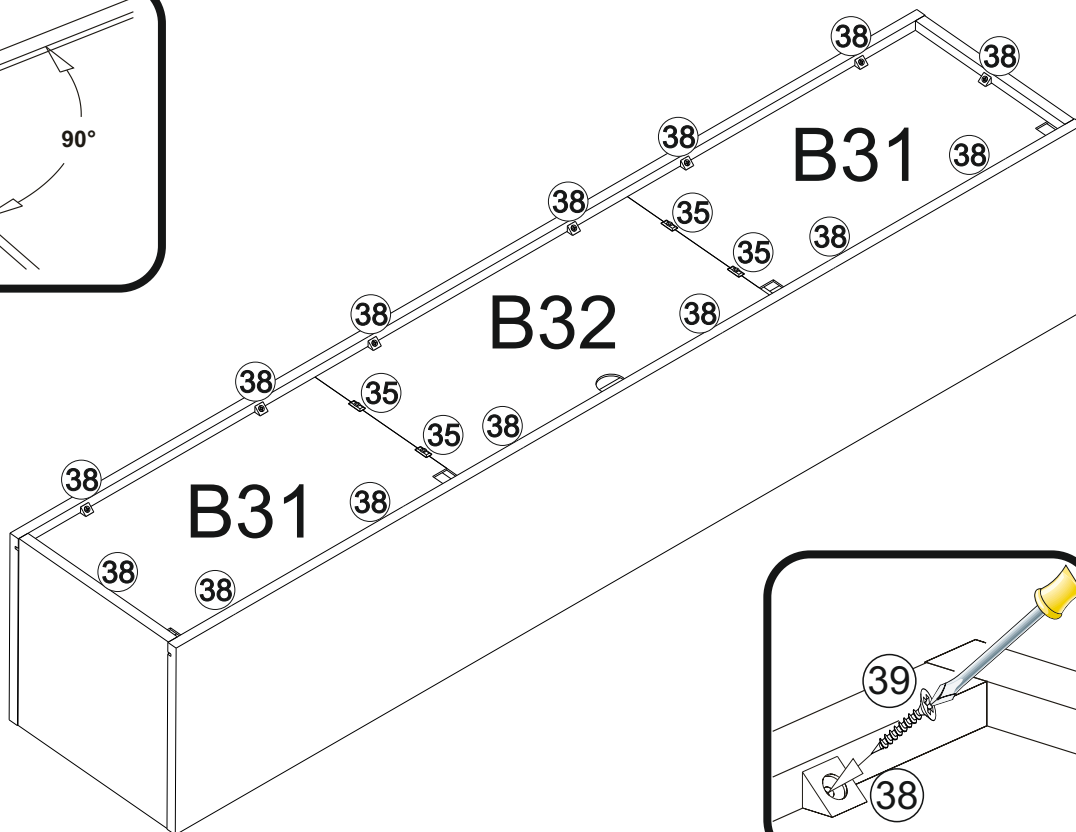
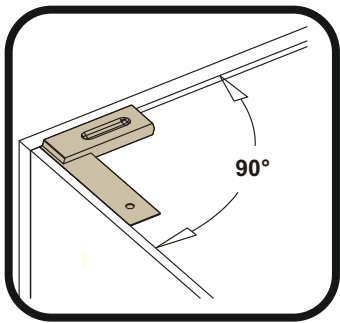
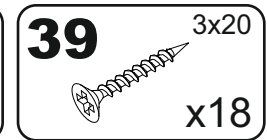
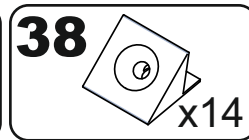
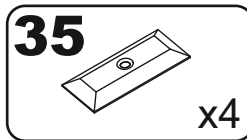


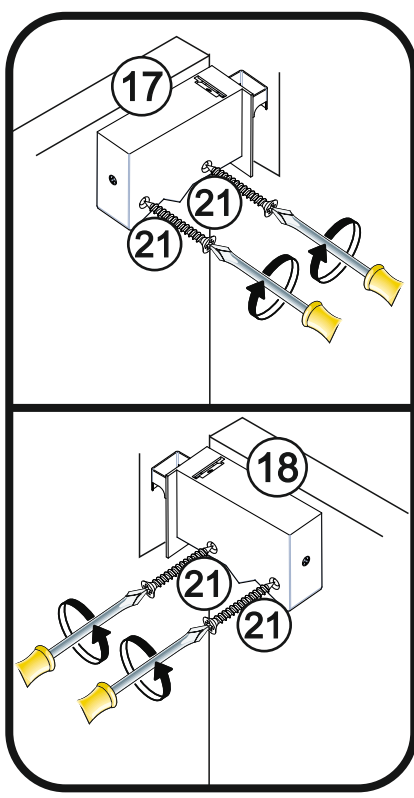
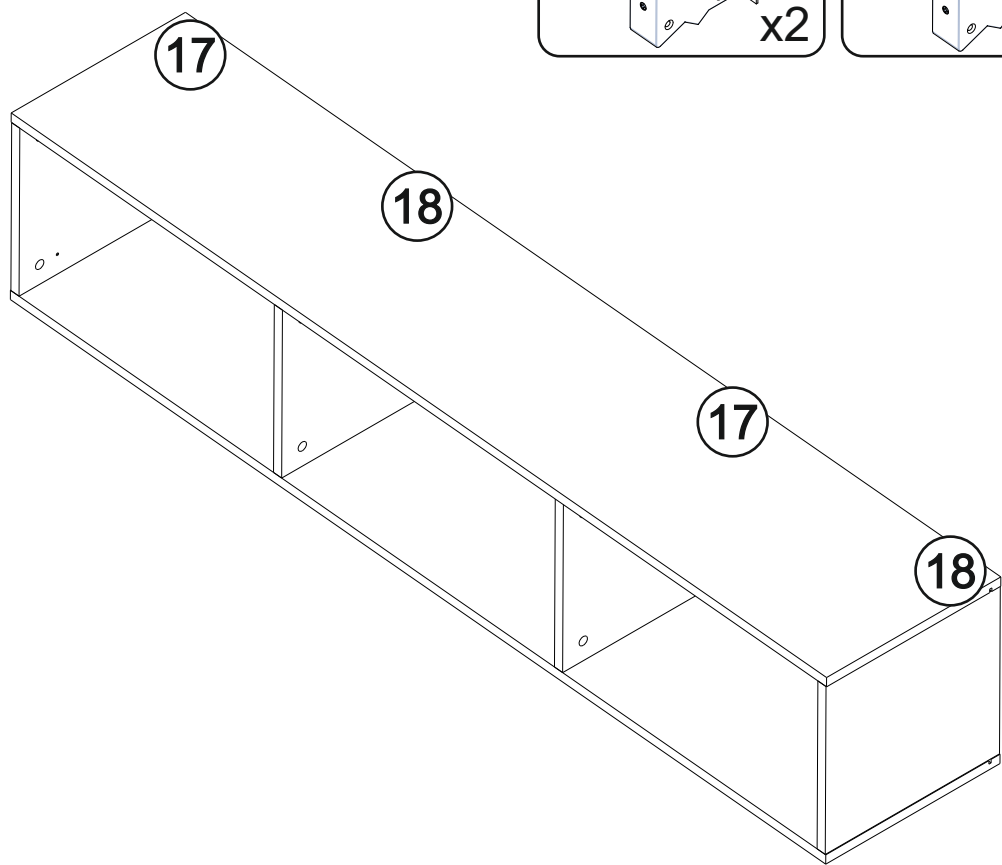
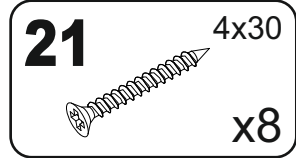
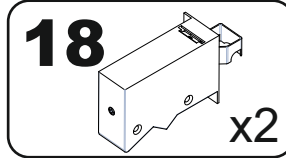
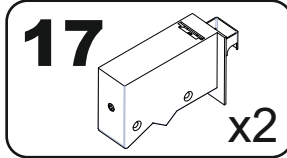
# 9



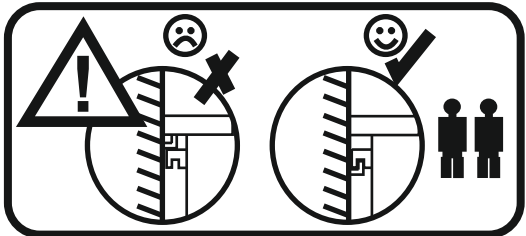
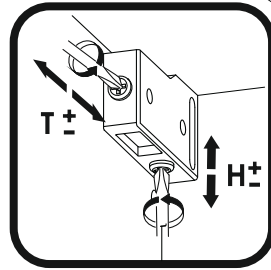
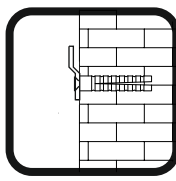
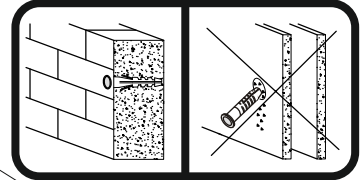
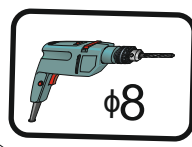
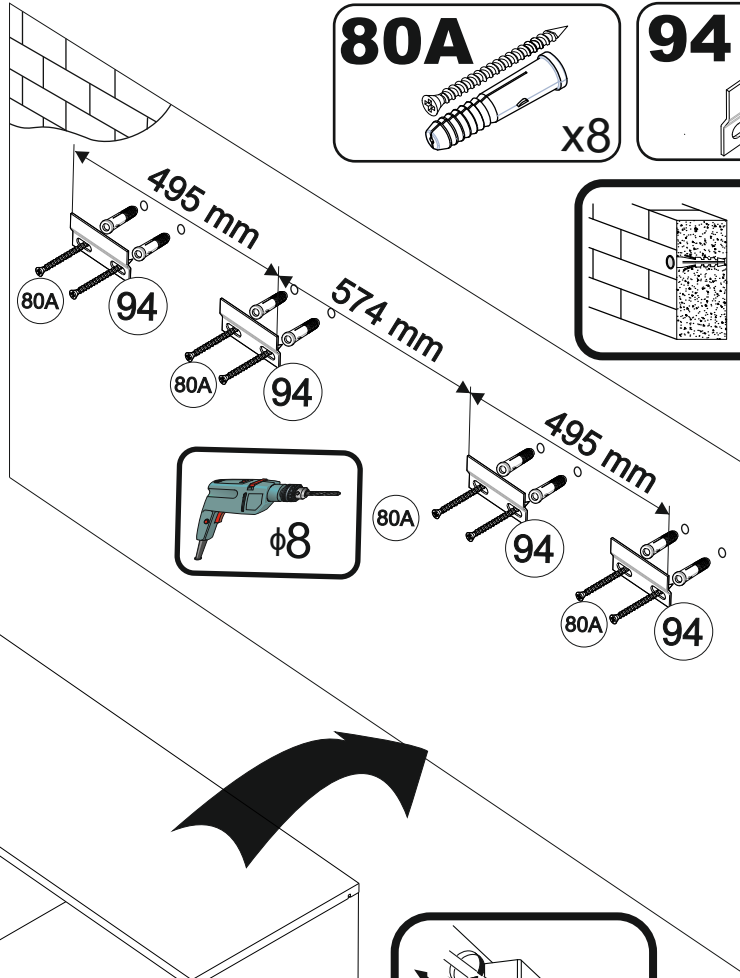
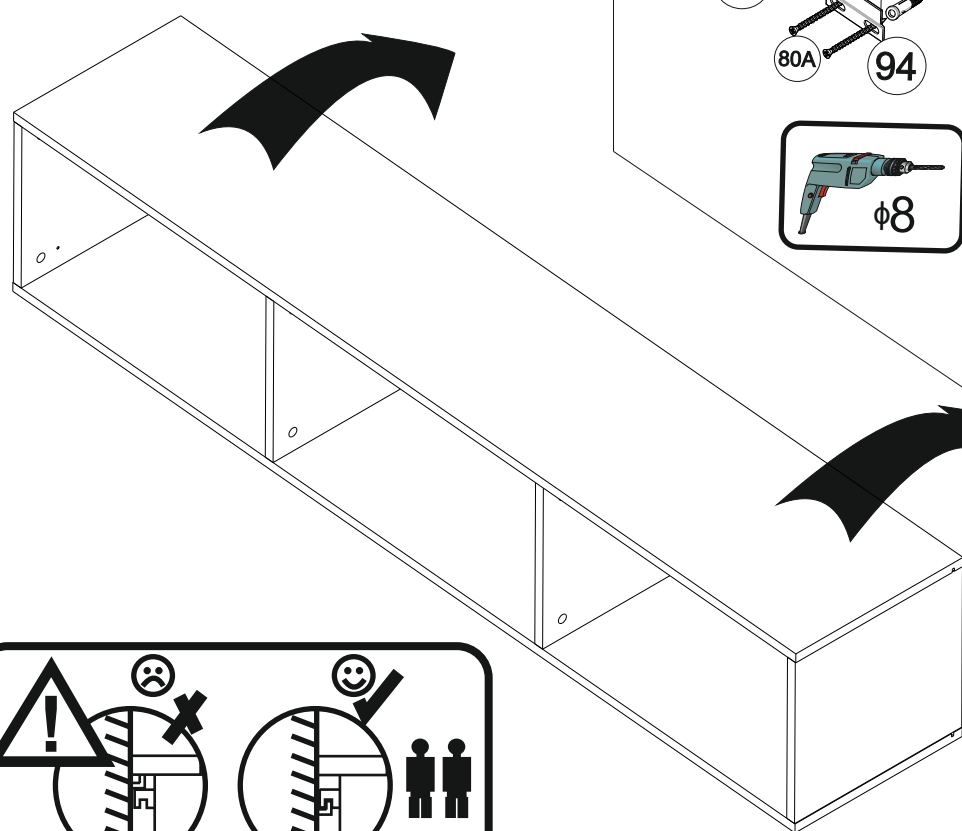
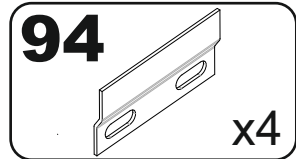
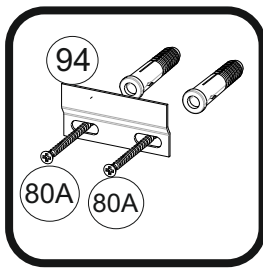
# 10



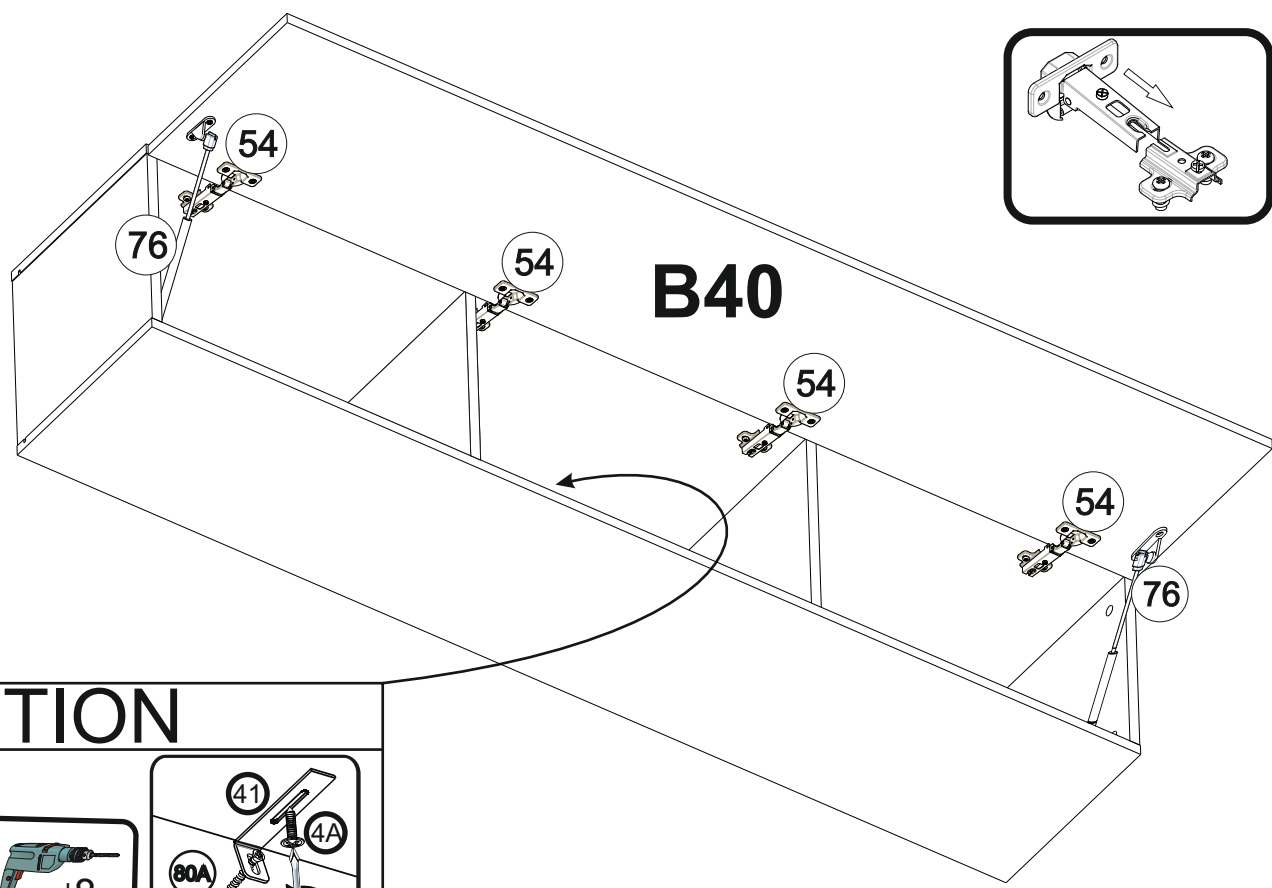
# 11



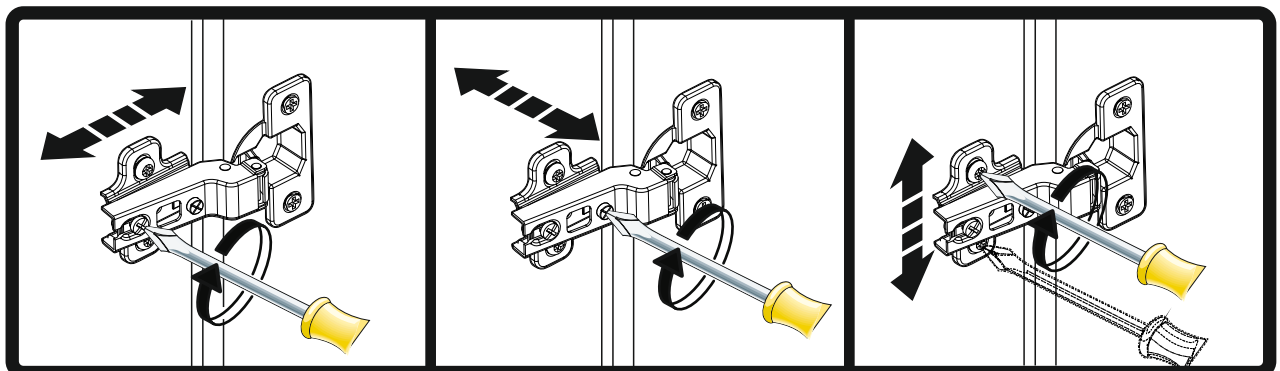
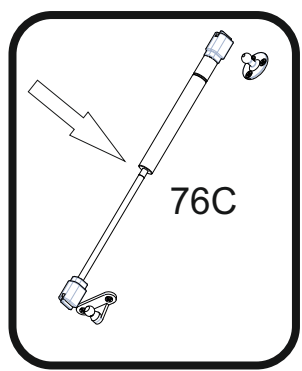
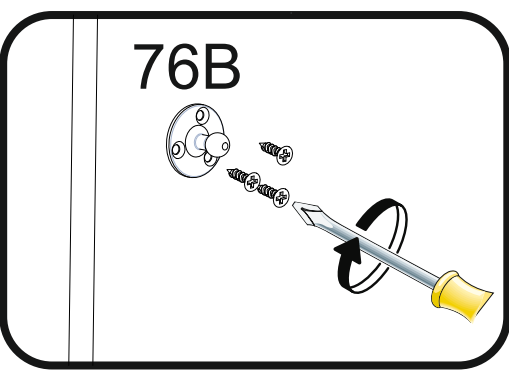
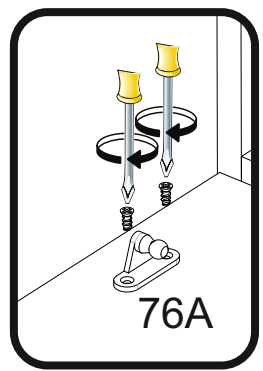
# 12



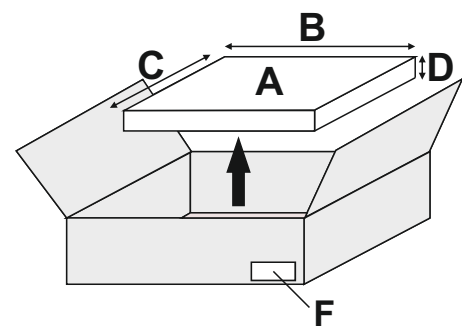
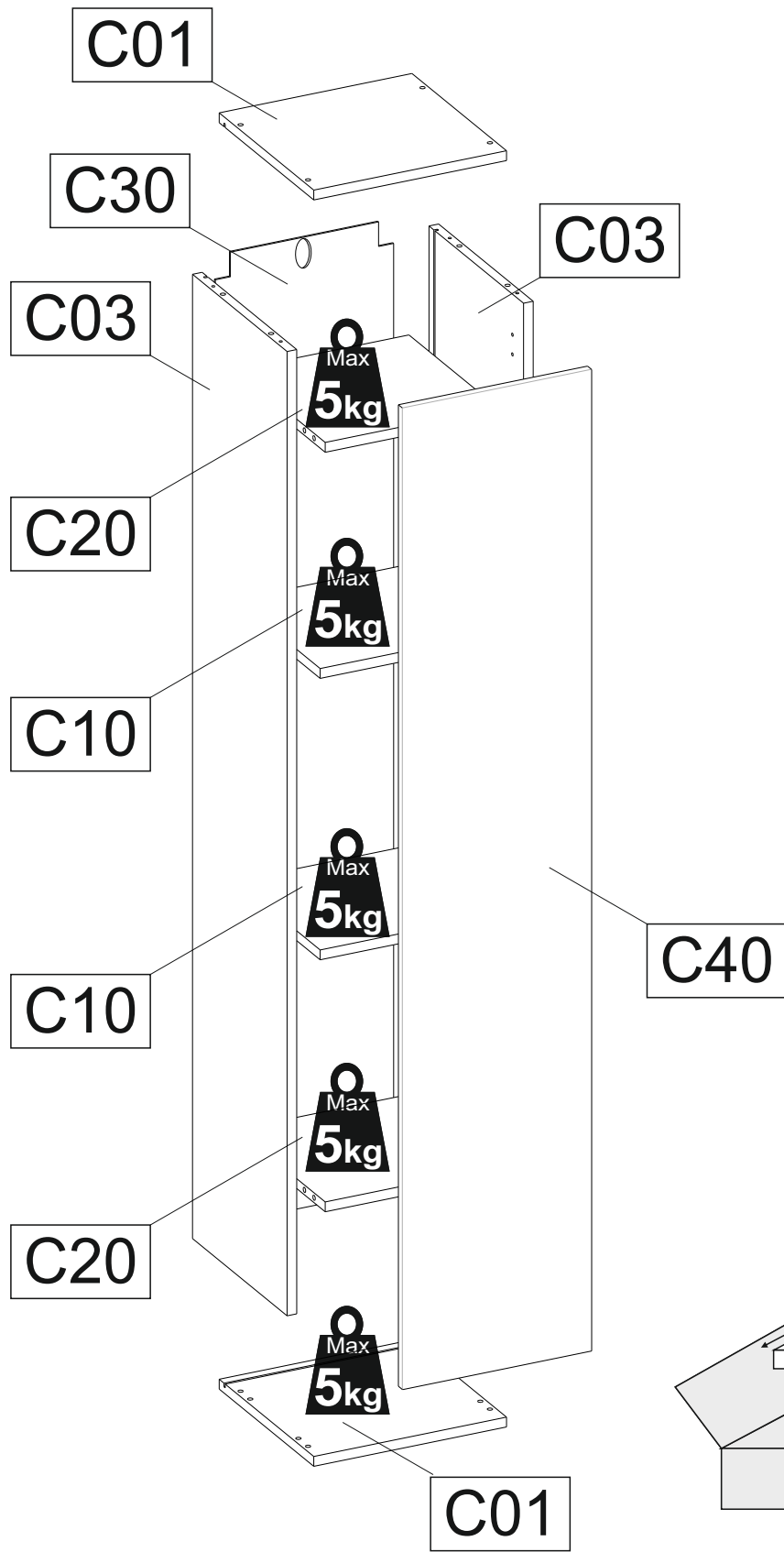
- 13** **4A** 4x16 x1
- 41** x1
- 80A** x1
- 76A** x2
- 76B** x2
- 76C** x2



**OPTION**

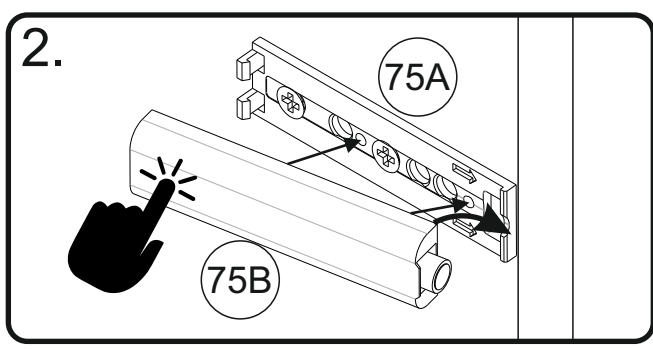
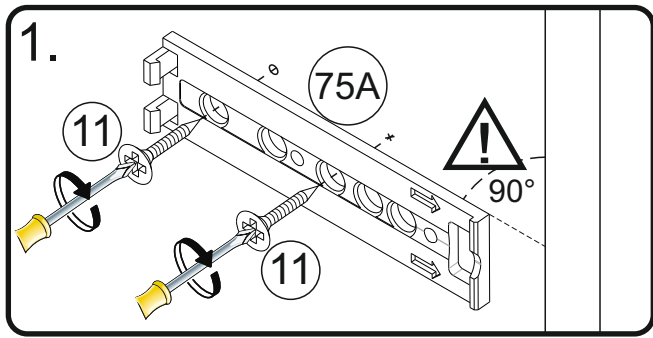
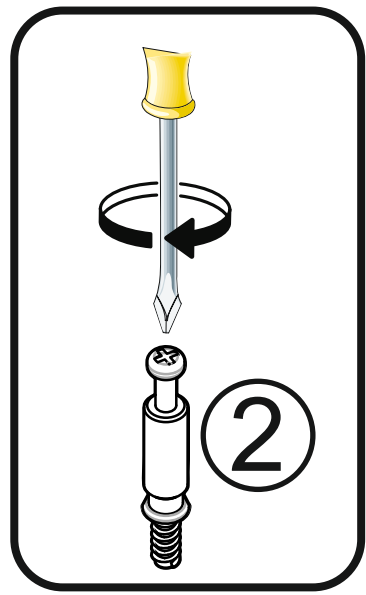
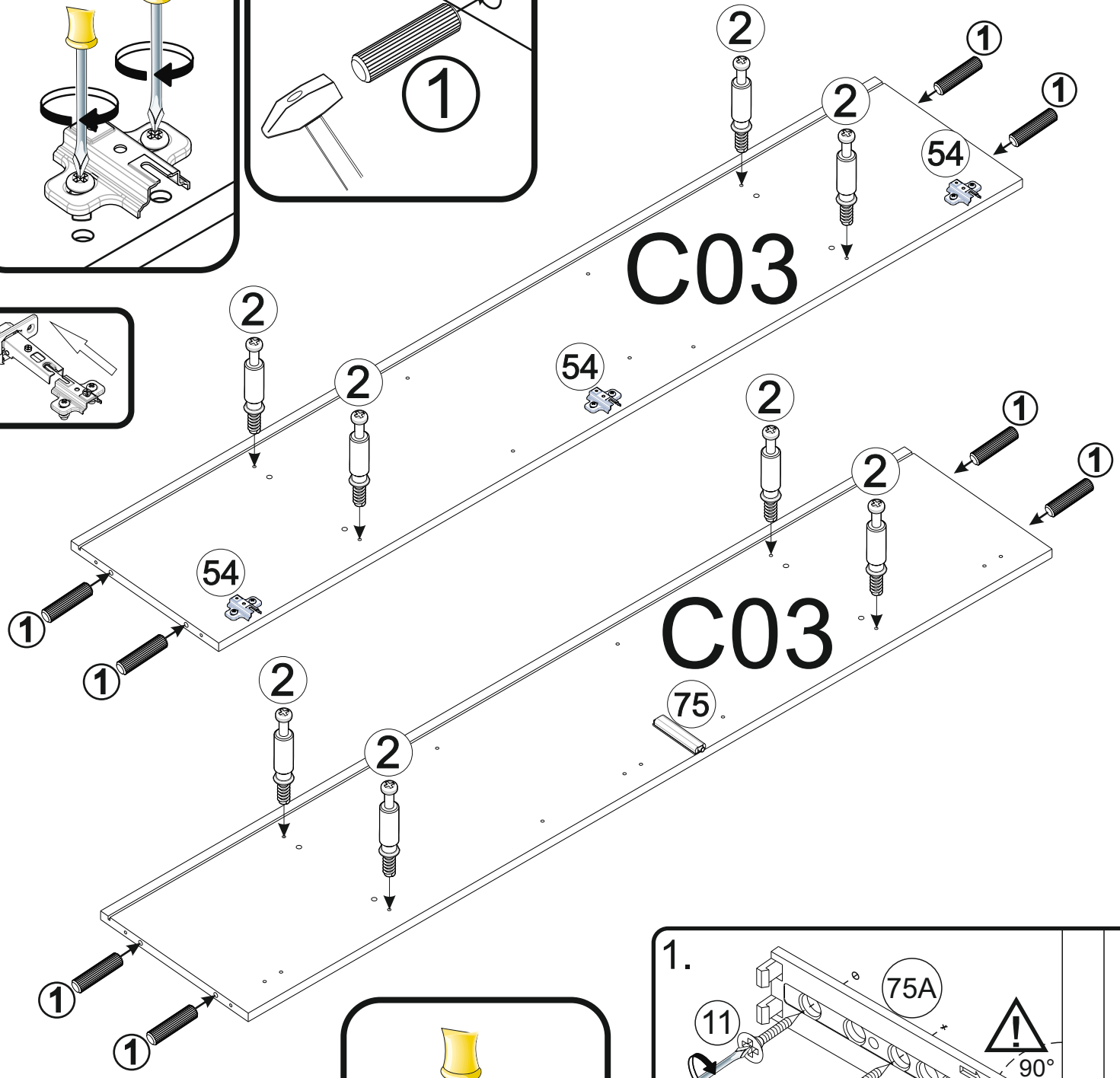
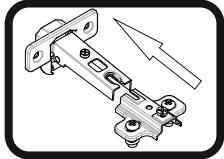
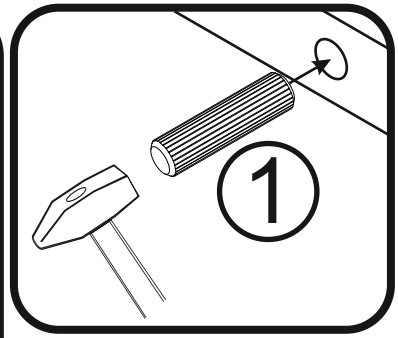
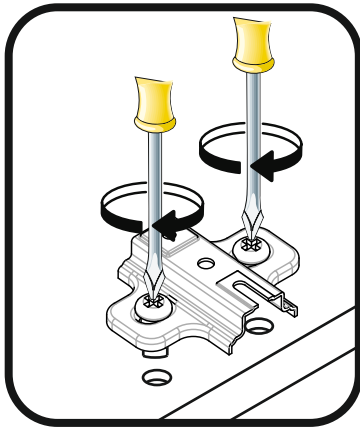
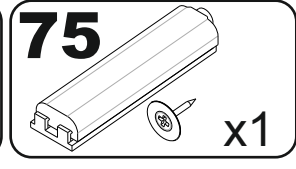
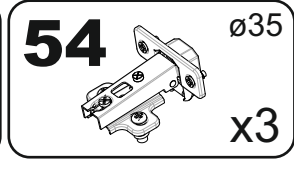
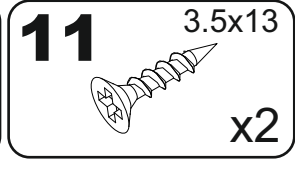
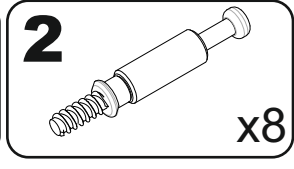
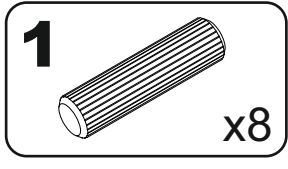


# C

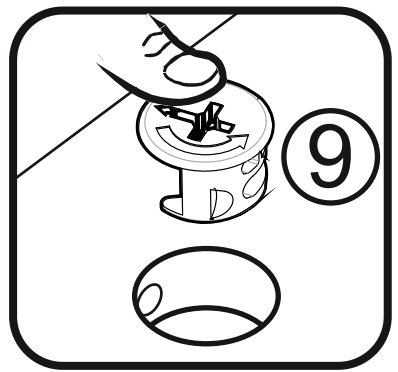
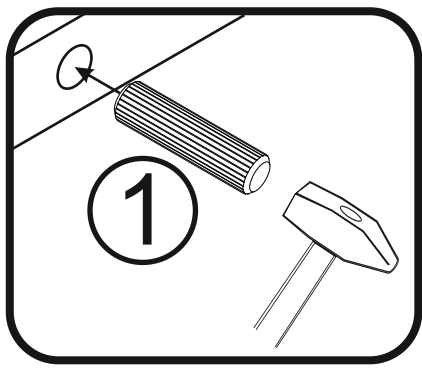
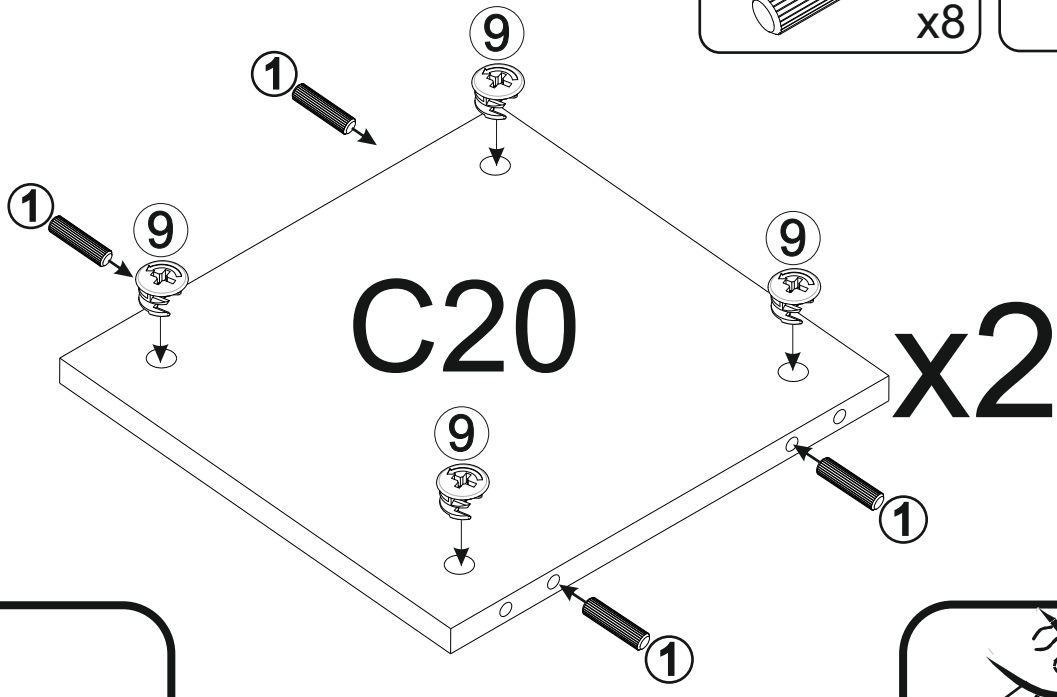
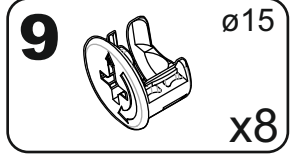
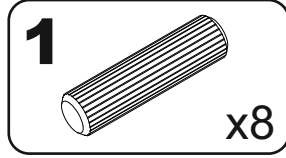


A	B_(mm)	C_(mm)	D_(mm)	E	F
C01	320	314	16	2	1 4
C03	1568	314	16	2	1 4
C10	286	280	16	2	1 4
C20	286	294	16	2	1 4
C30	1578	296	3	1	1 4
C40	1596	314	16	1	1 4

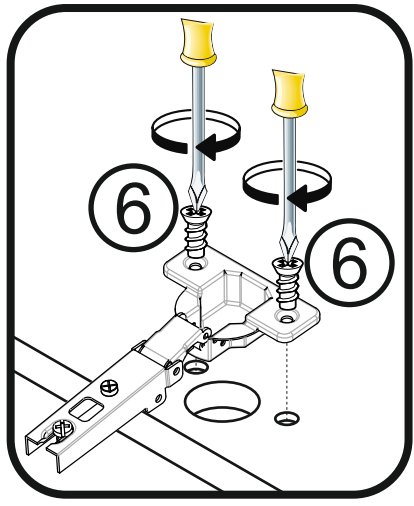
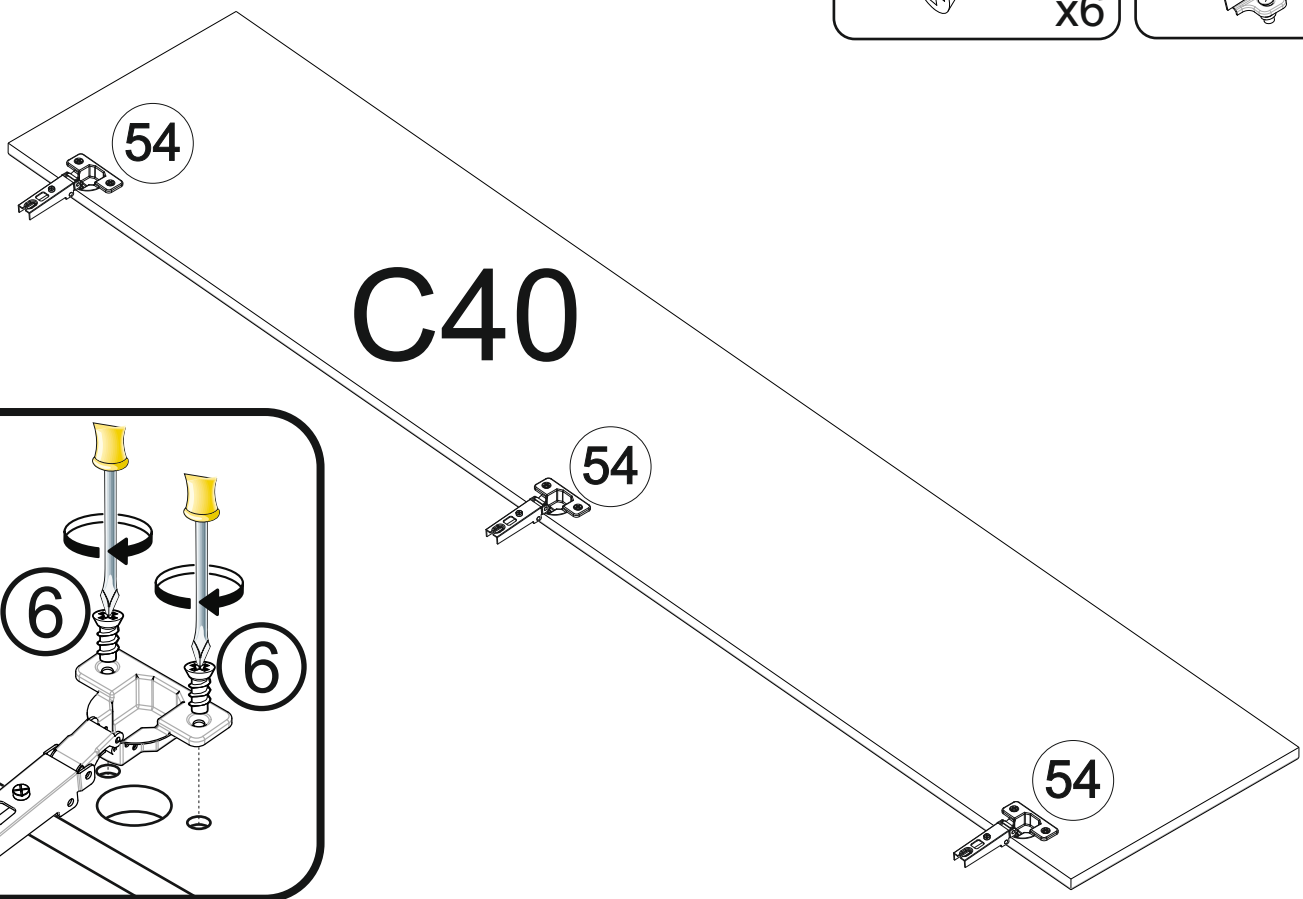
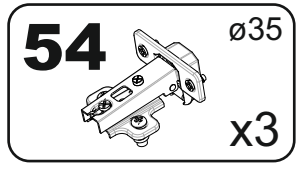
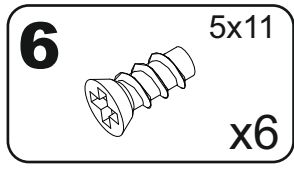
# I



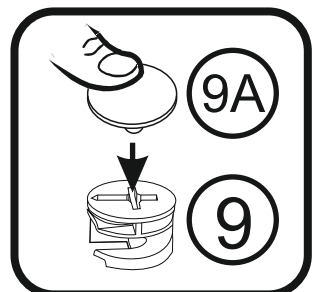
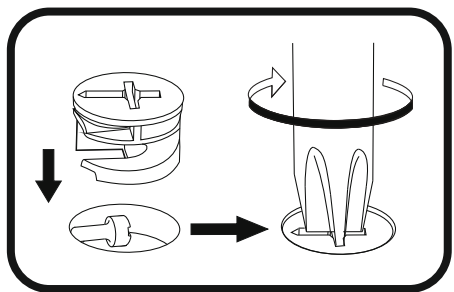
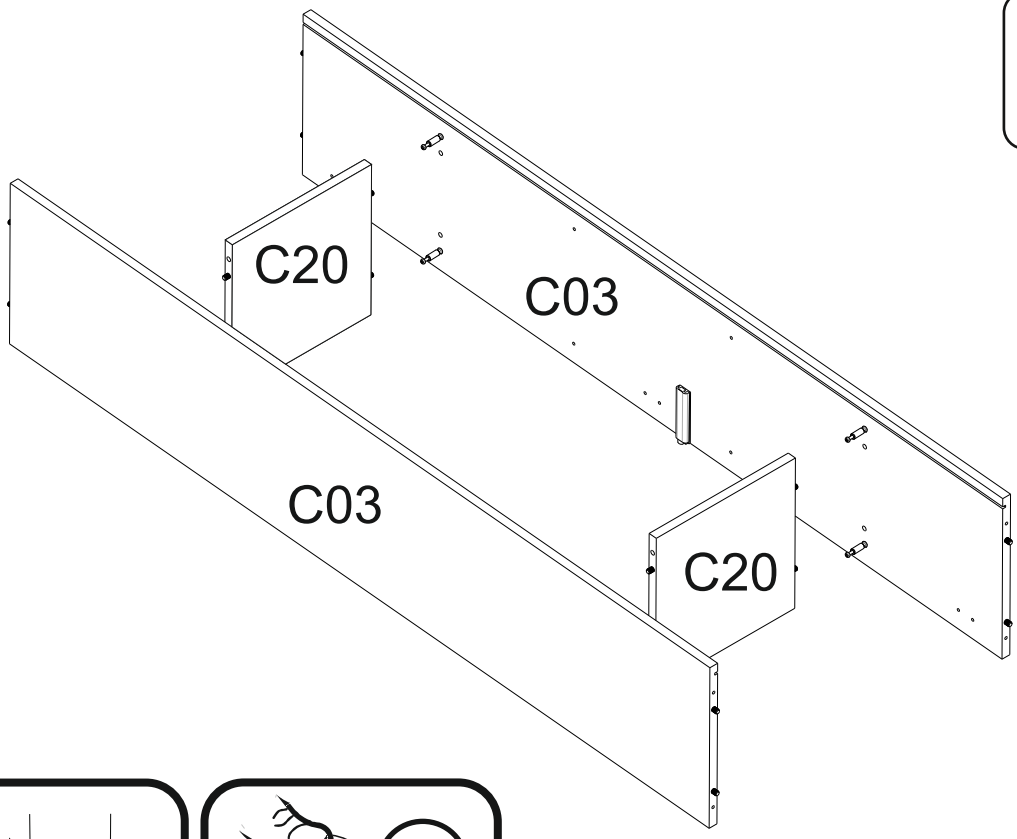
# 2



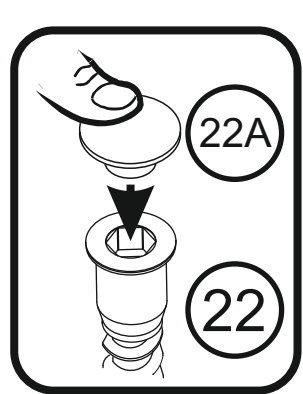
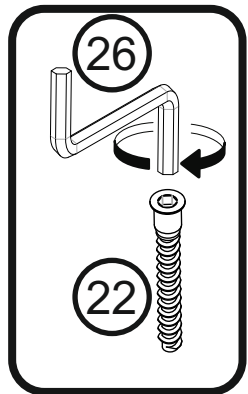
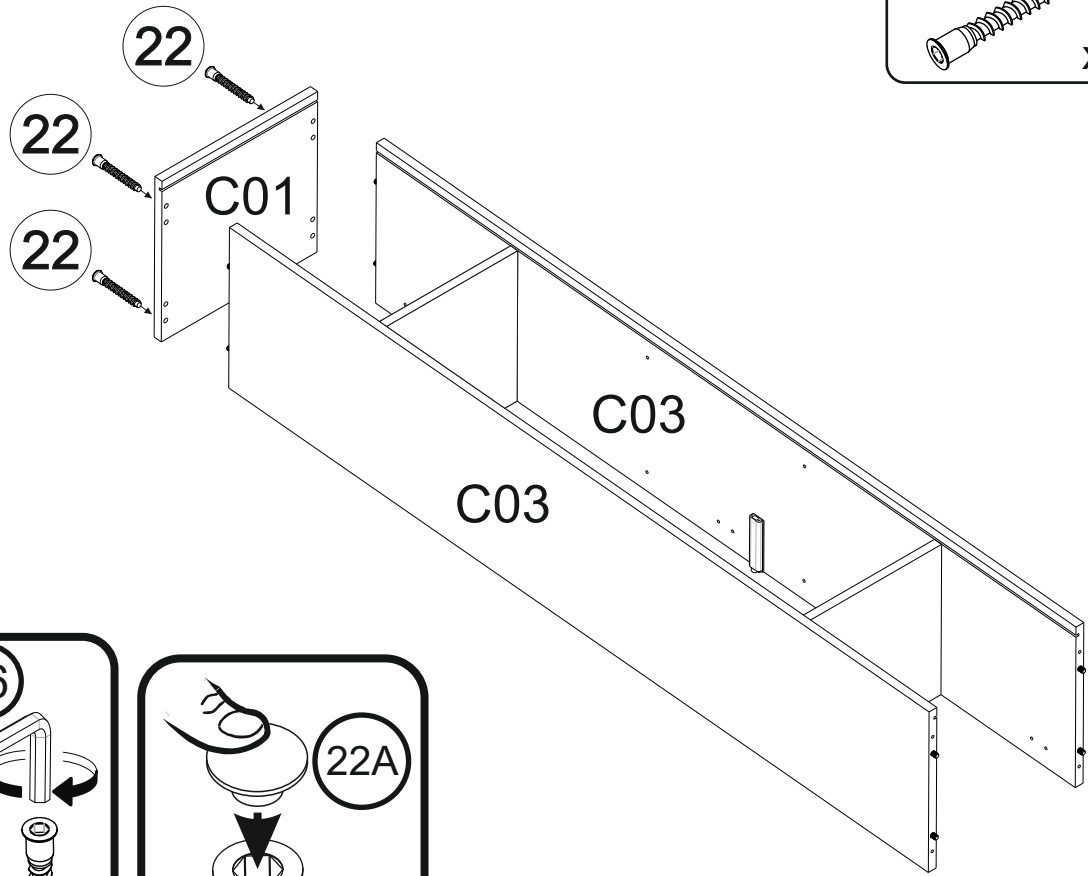
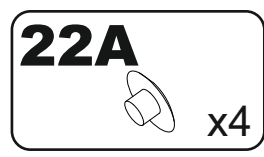
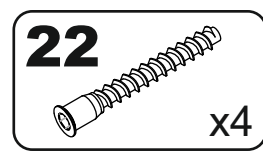
# 3



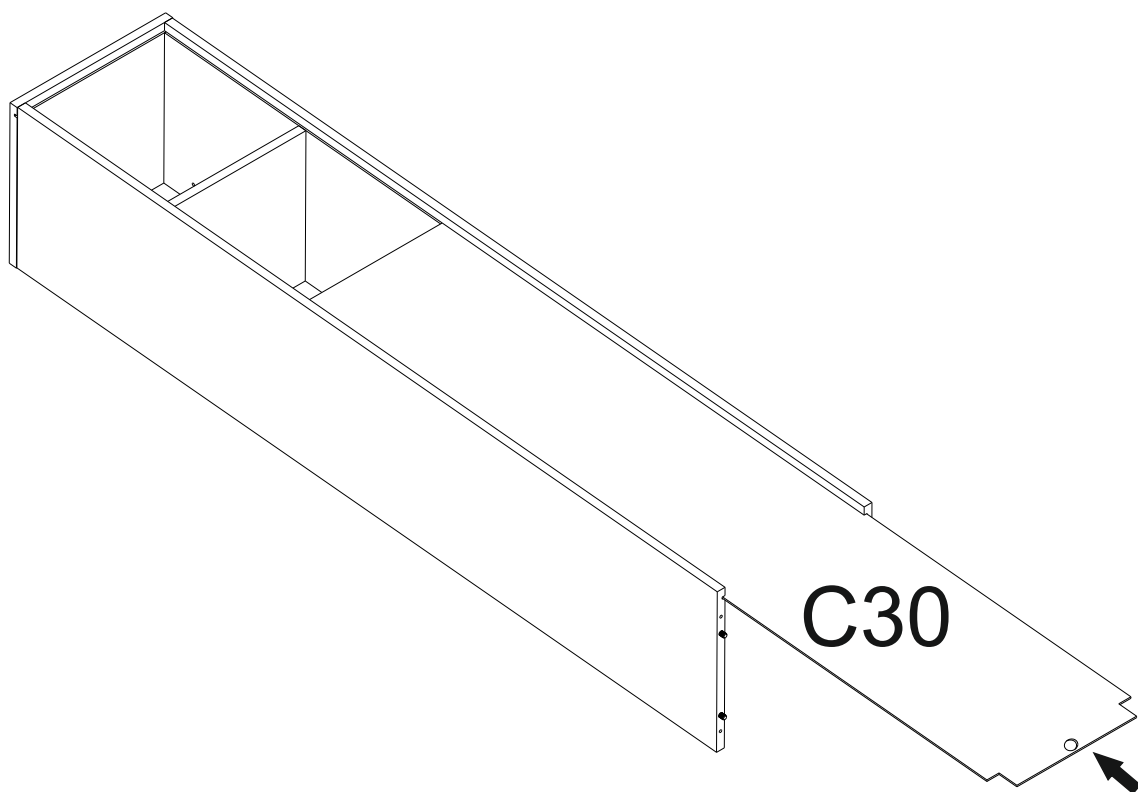
# 4



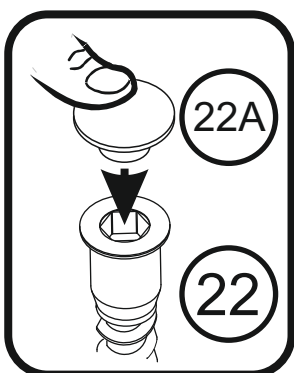
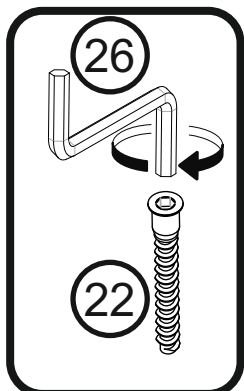
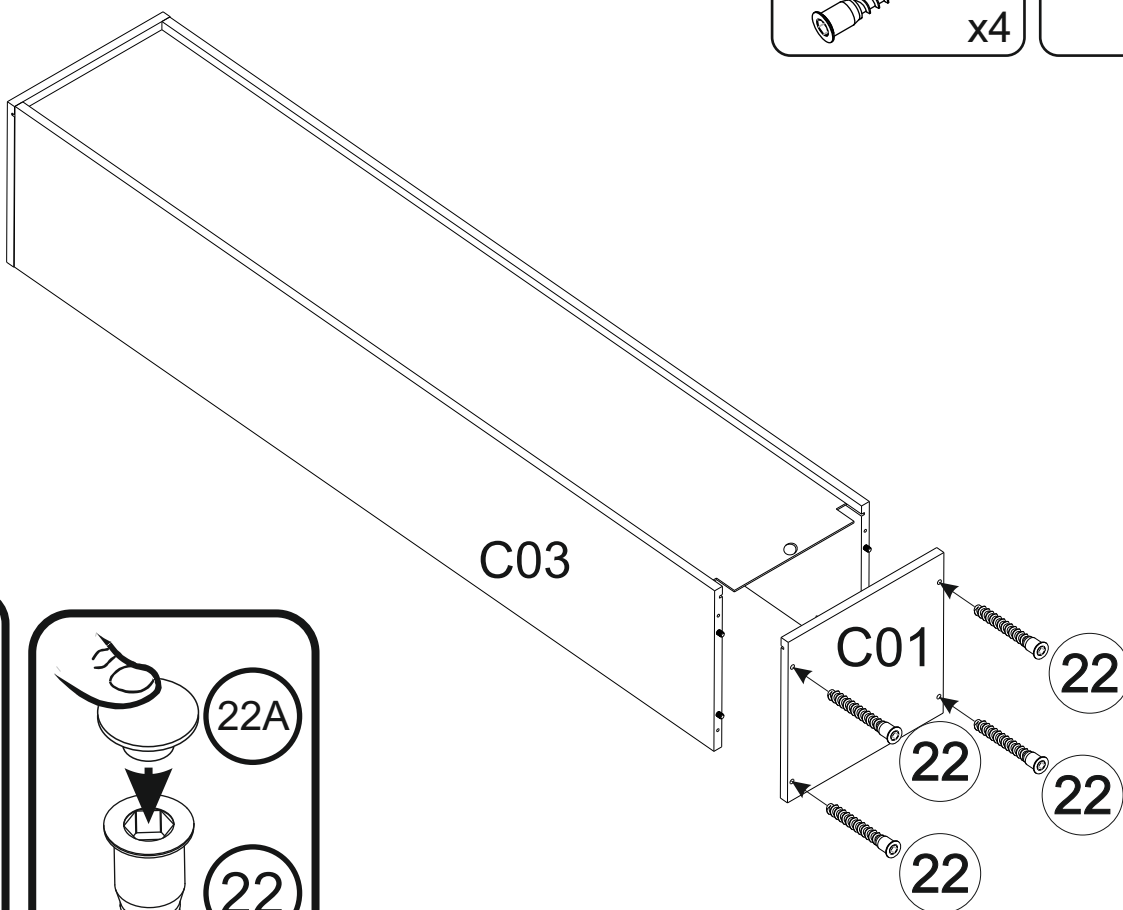
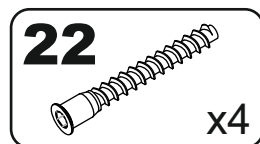
# 5



# 6

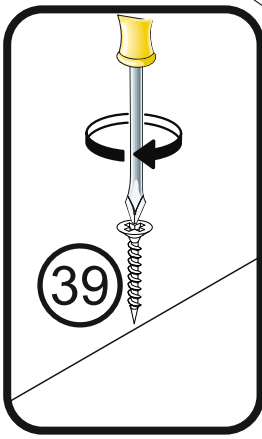
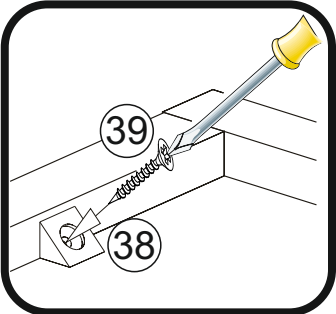
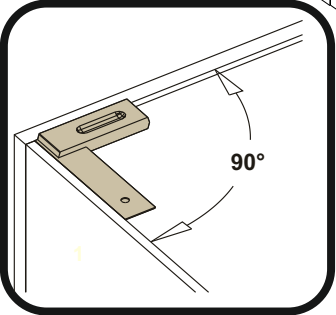
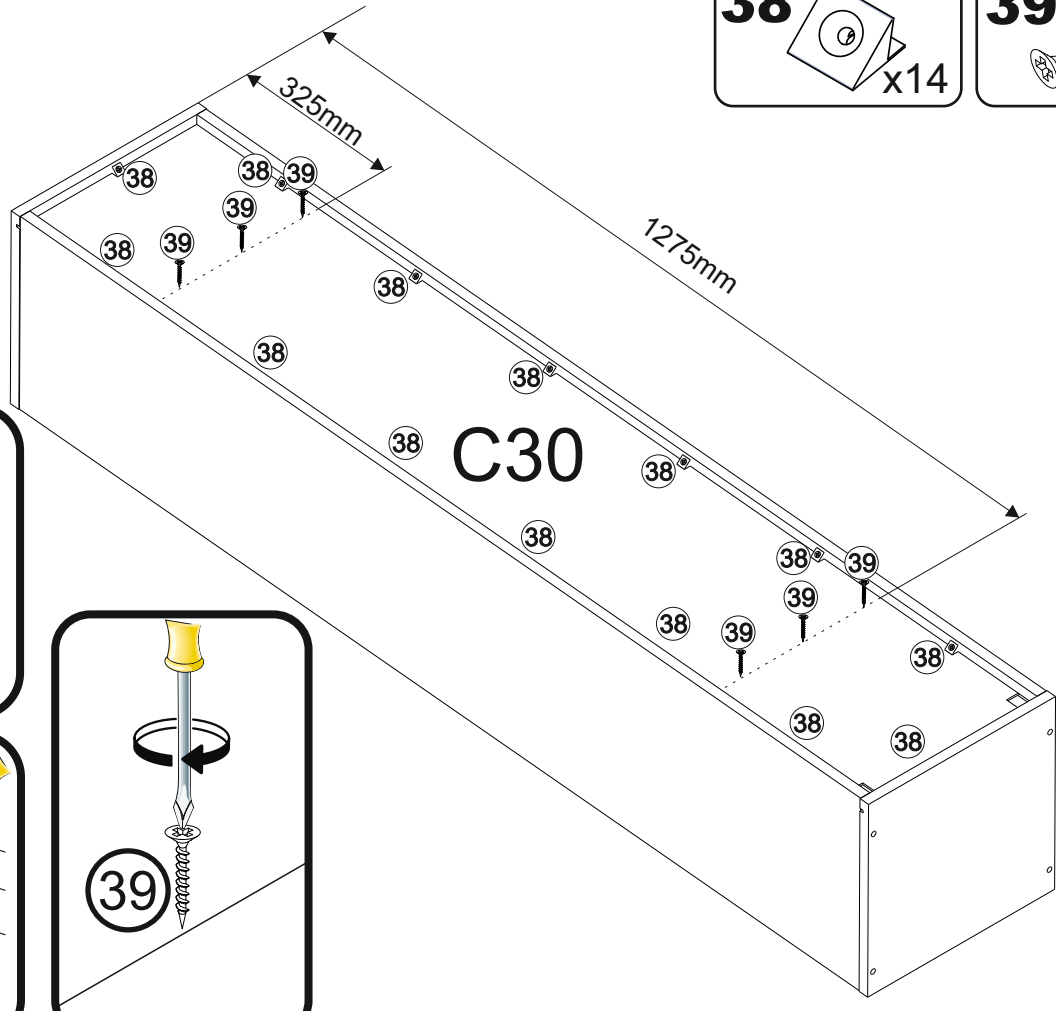
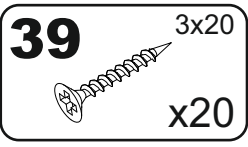
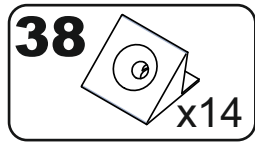


# 7

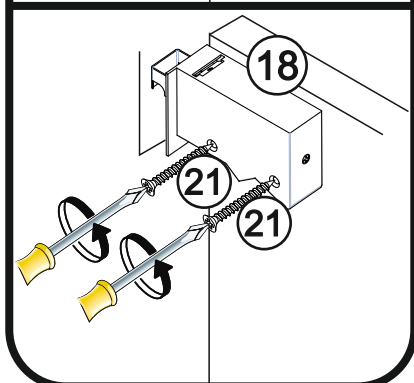
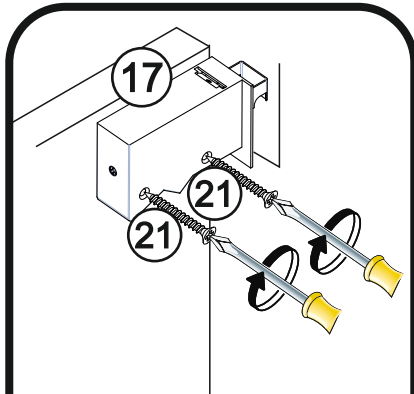
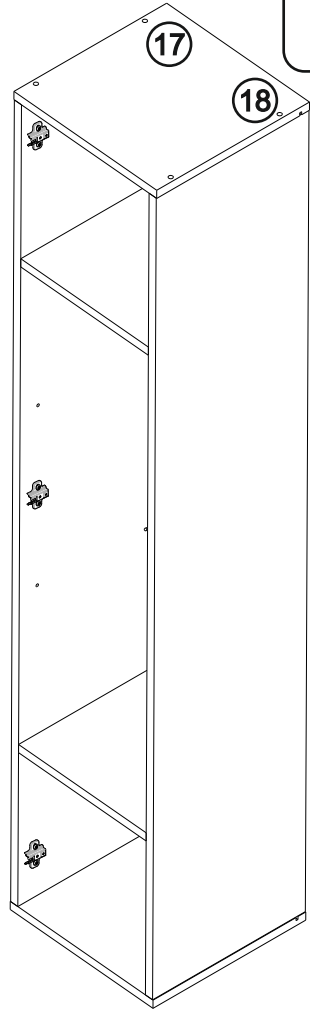
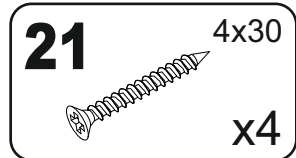
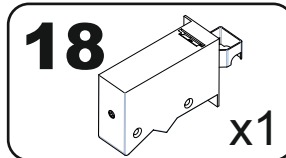
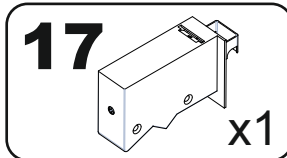




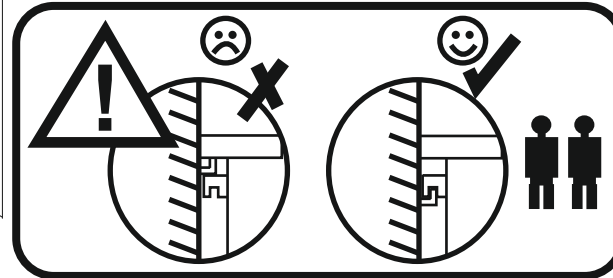
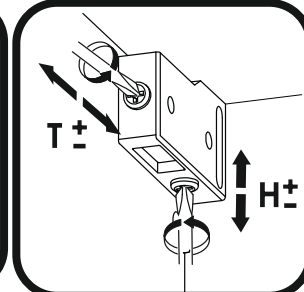
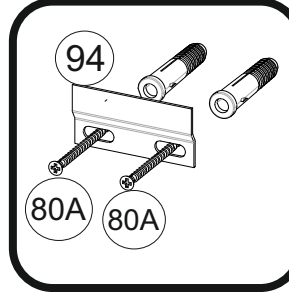
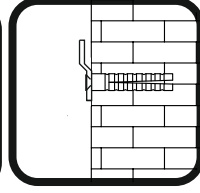
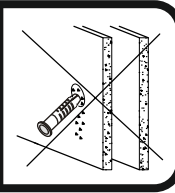
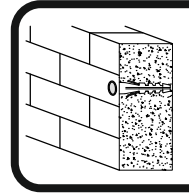
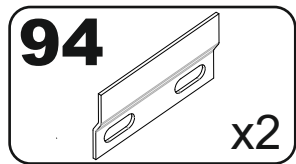
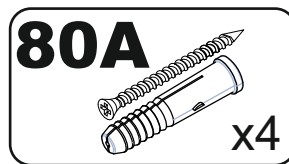
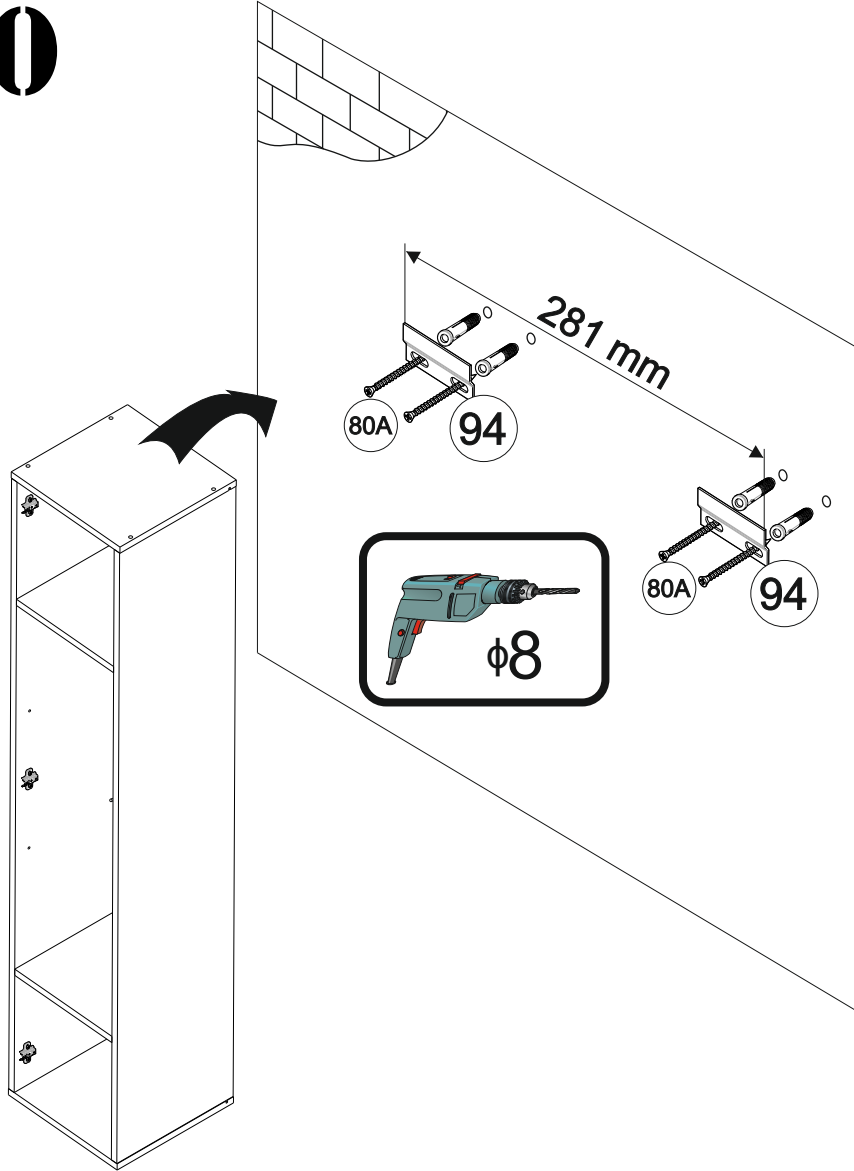
# 8



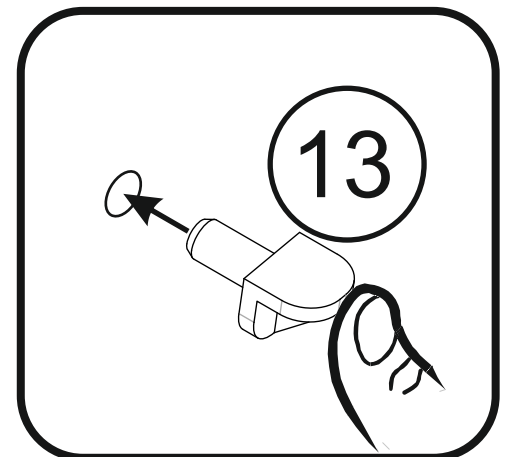
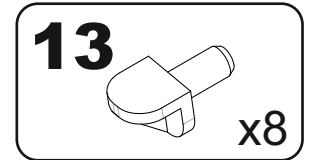
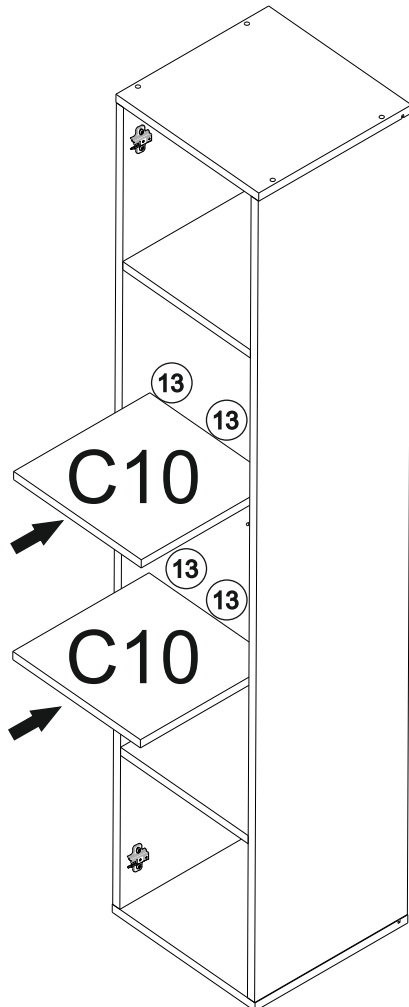
# 9

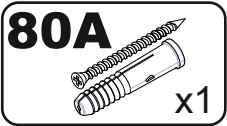
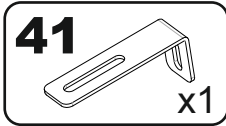
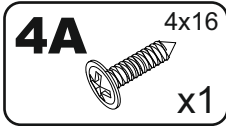


# 10

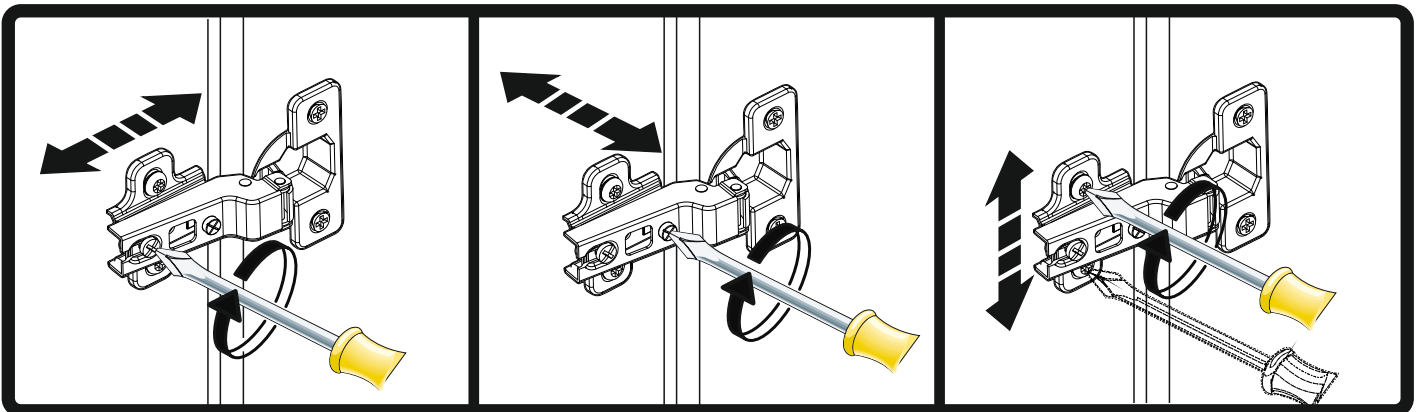
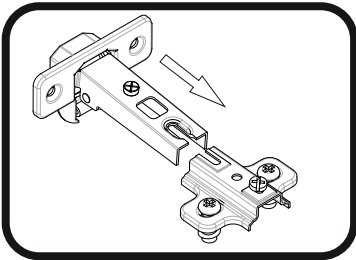
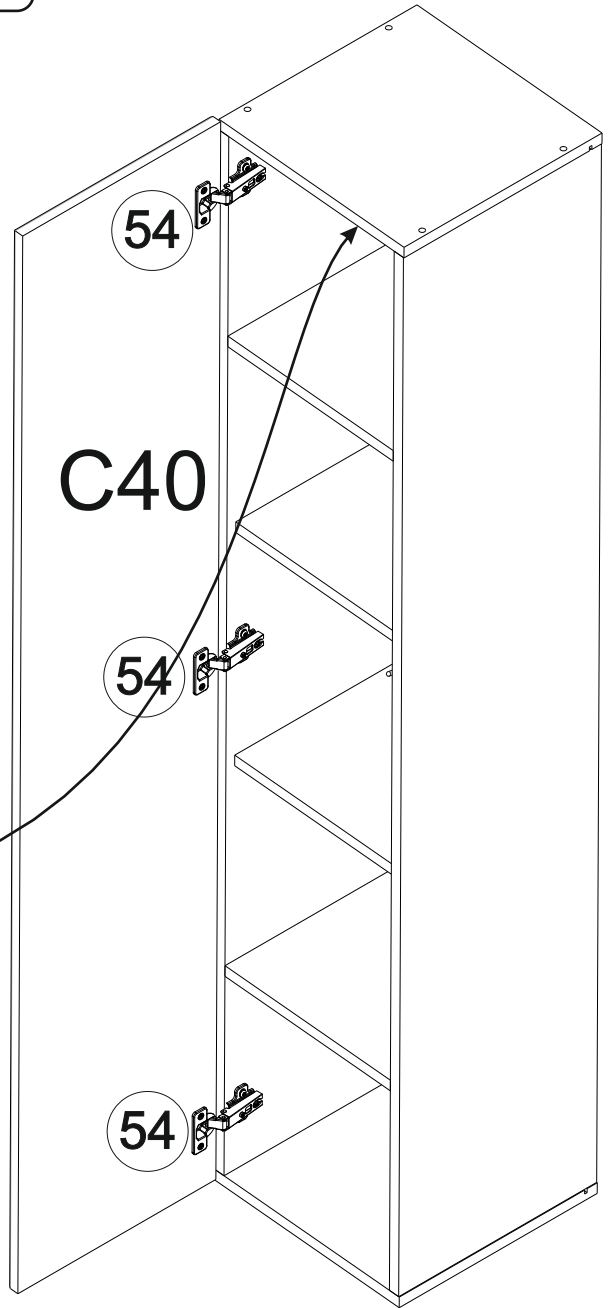
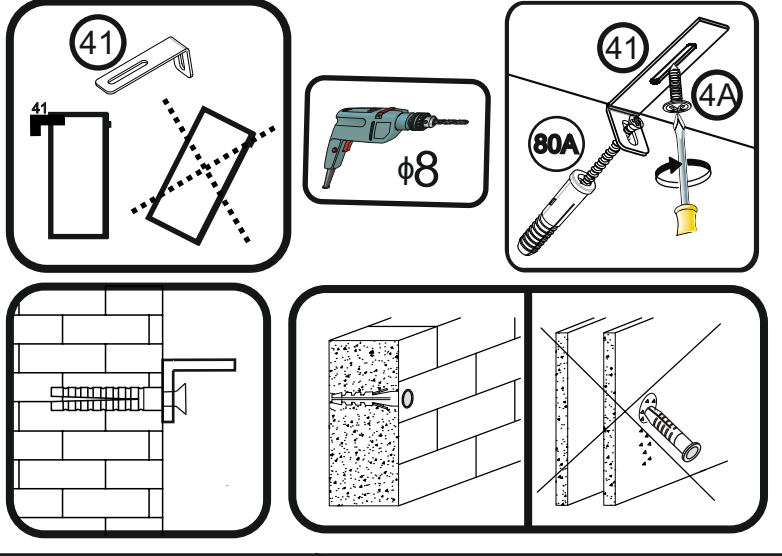


# 11

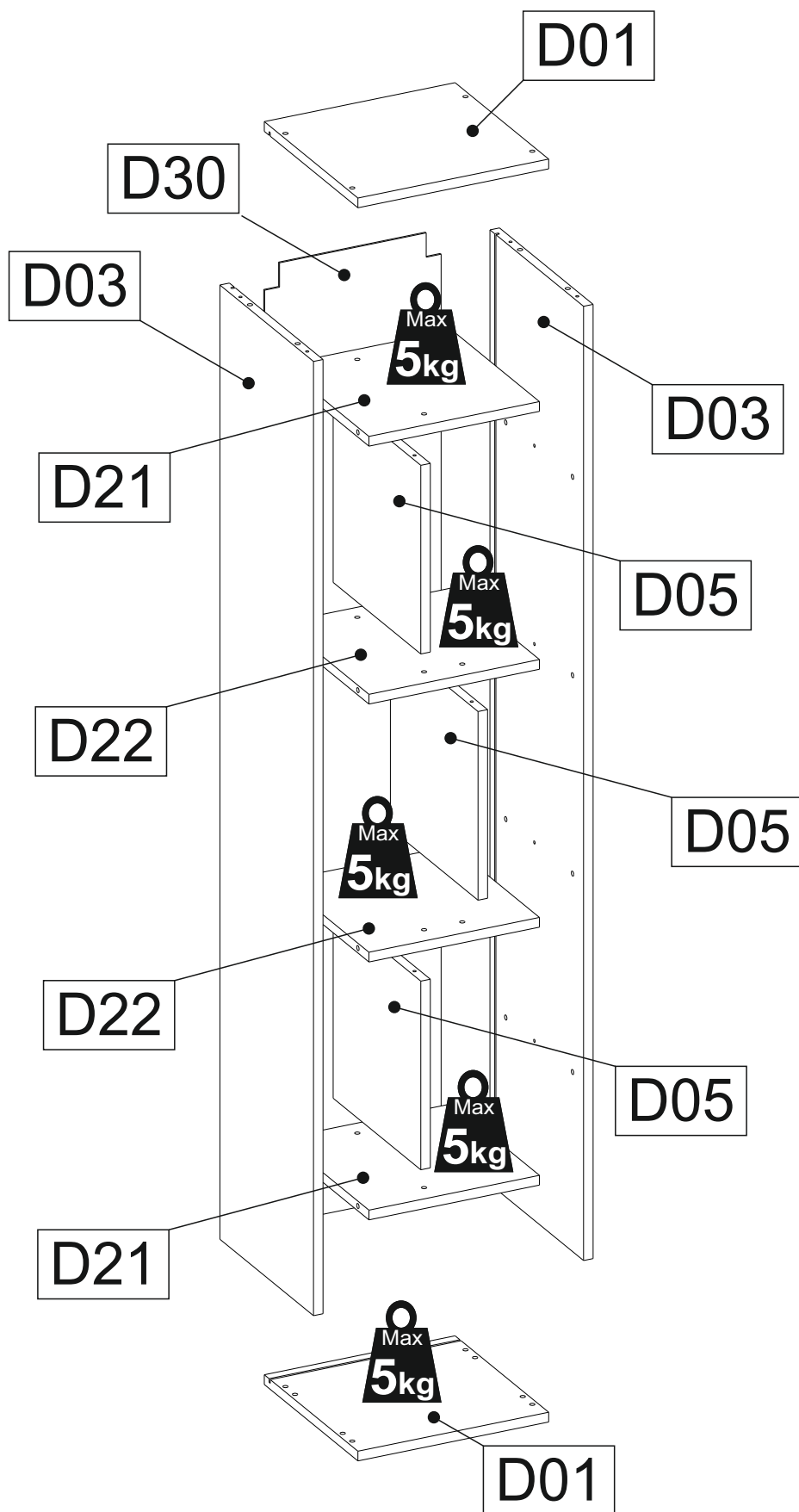




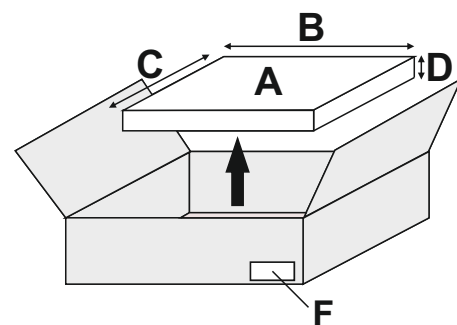
## OPTION



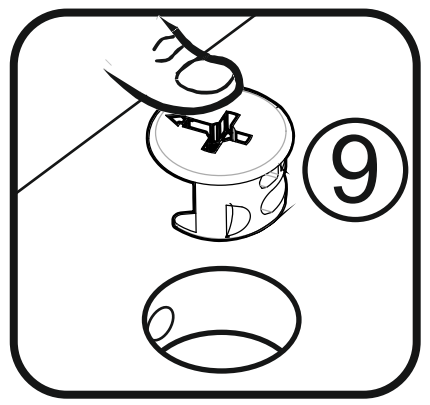
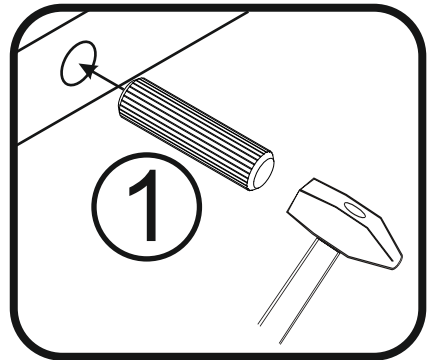
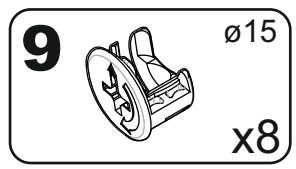
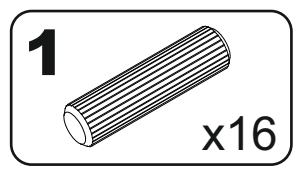
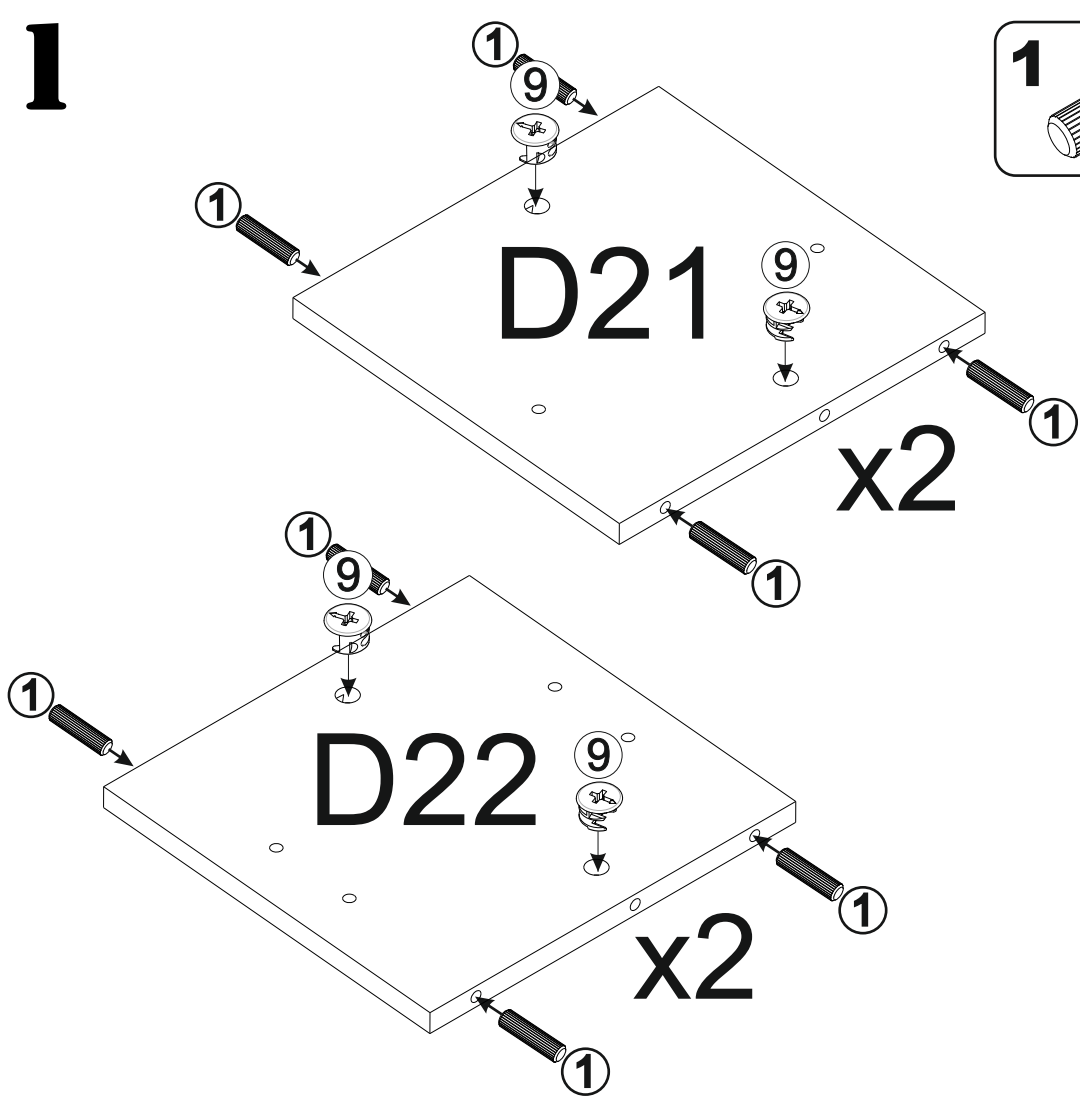
# D



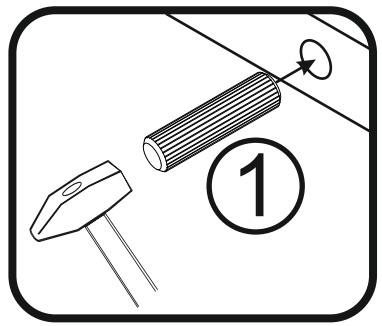
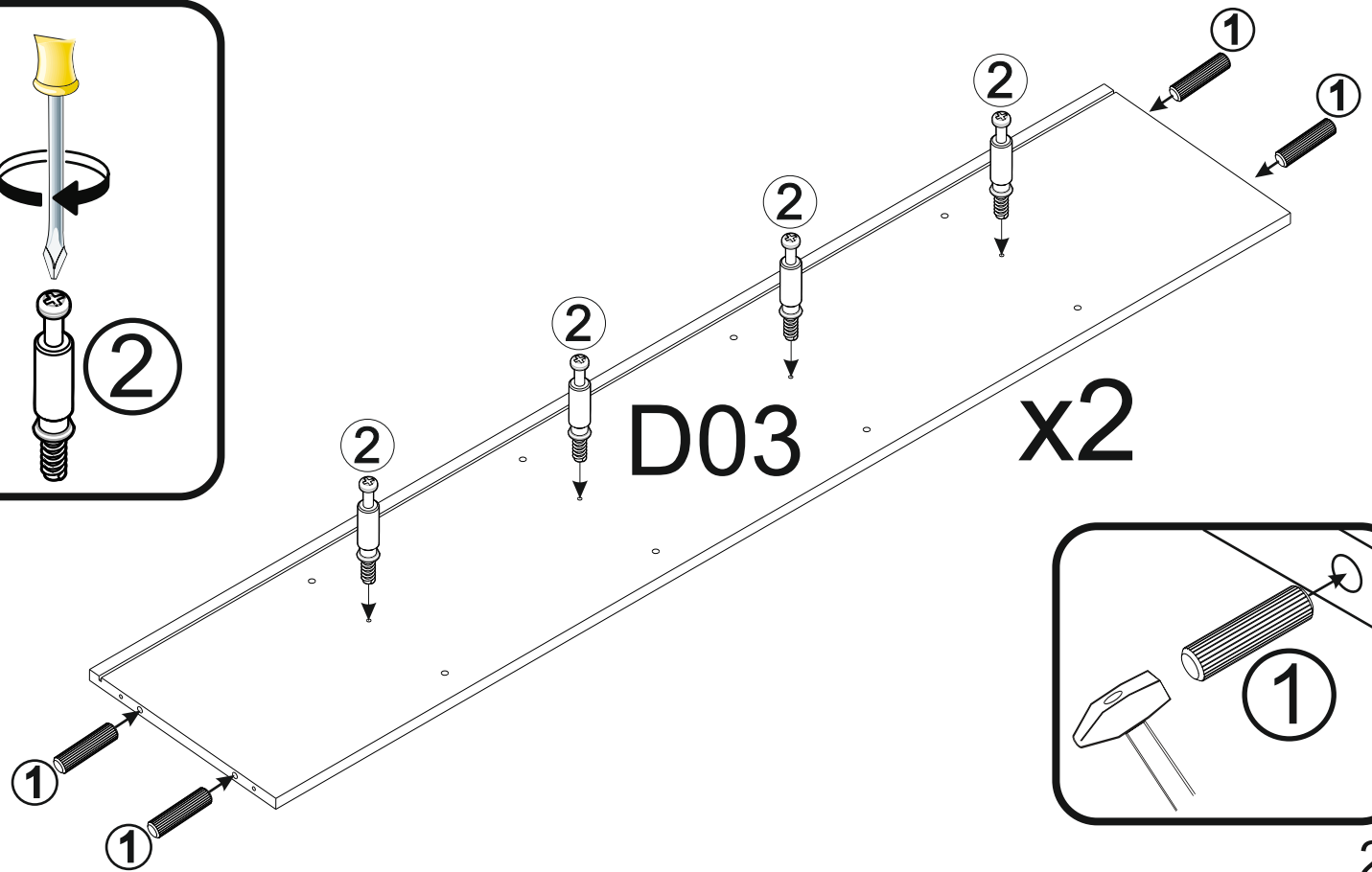
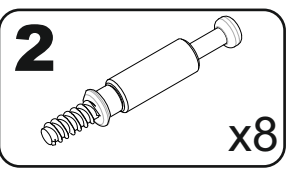
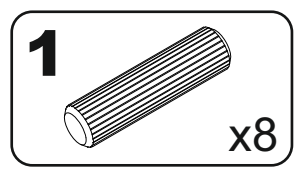
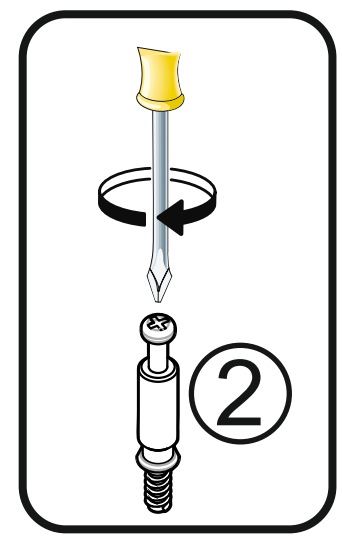
A	B (mm)	C (mm)	D (mm)	E	F
D01	320	314	16	2	2 4
D03	1568	314	16	2	2 4
D05	310	294	16	3	2 4
D21	286	294	16	2	2 4
D22	286	294	16	2	2 4
D30	1578	296	3	1	2 4



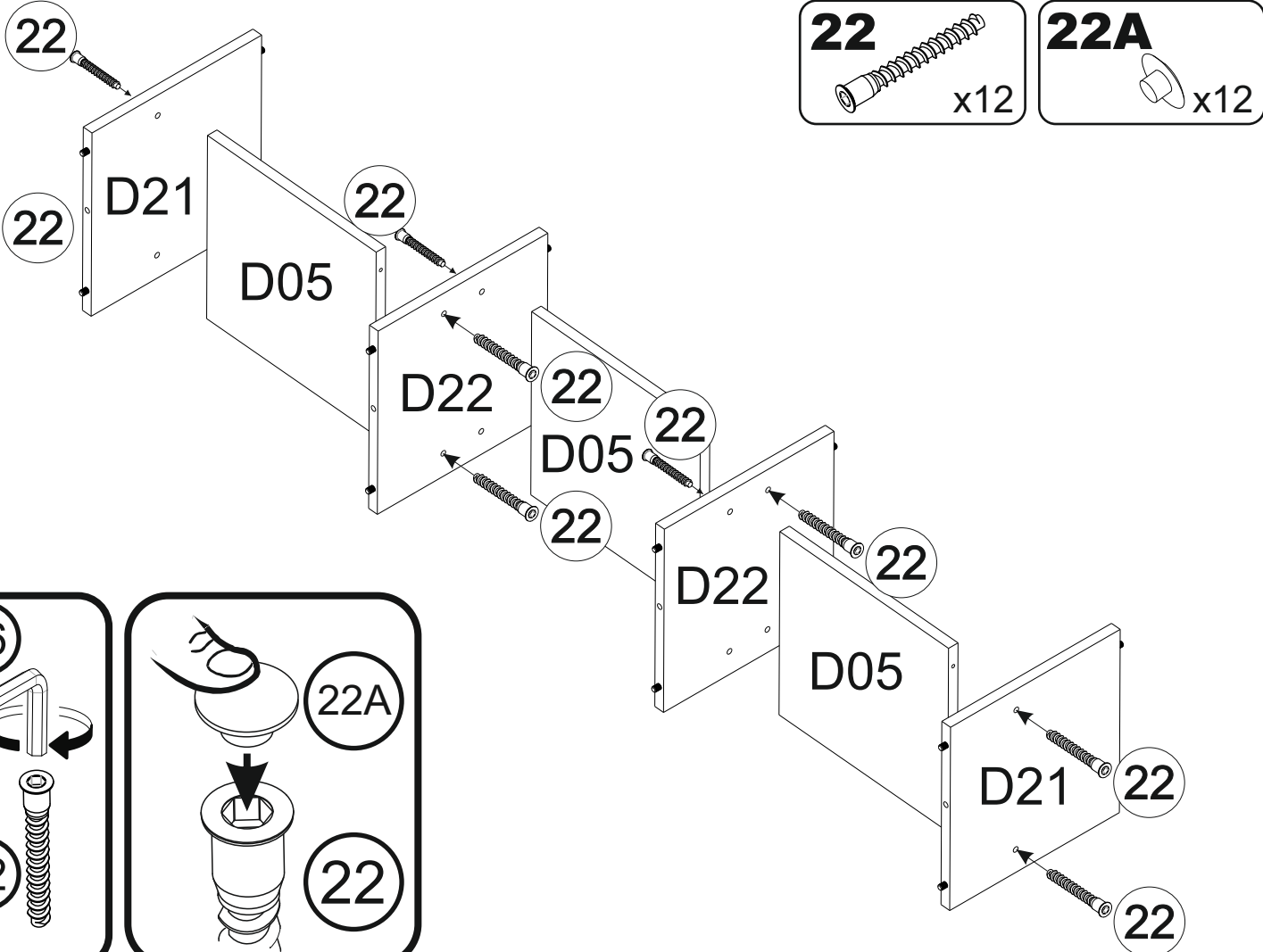
# 1

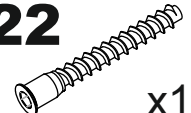



# 2

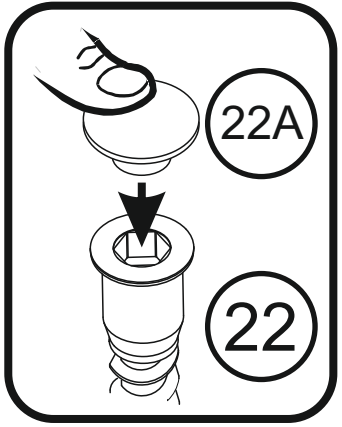
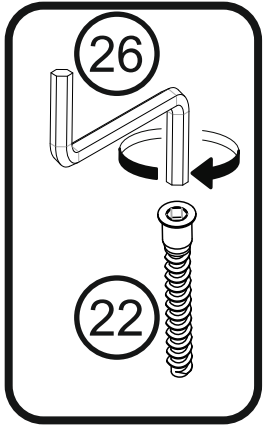


# 3

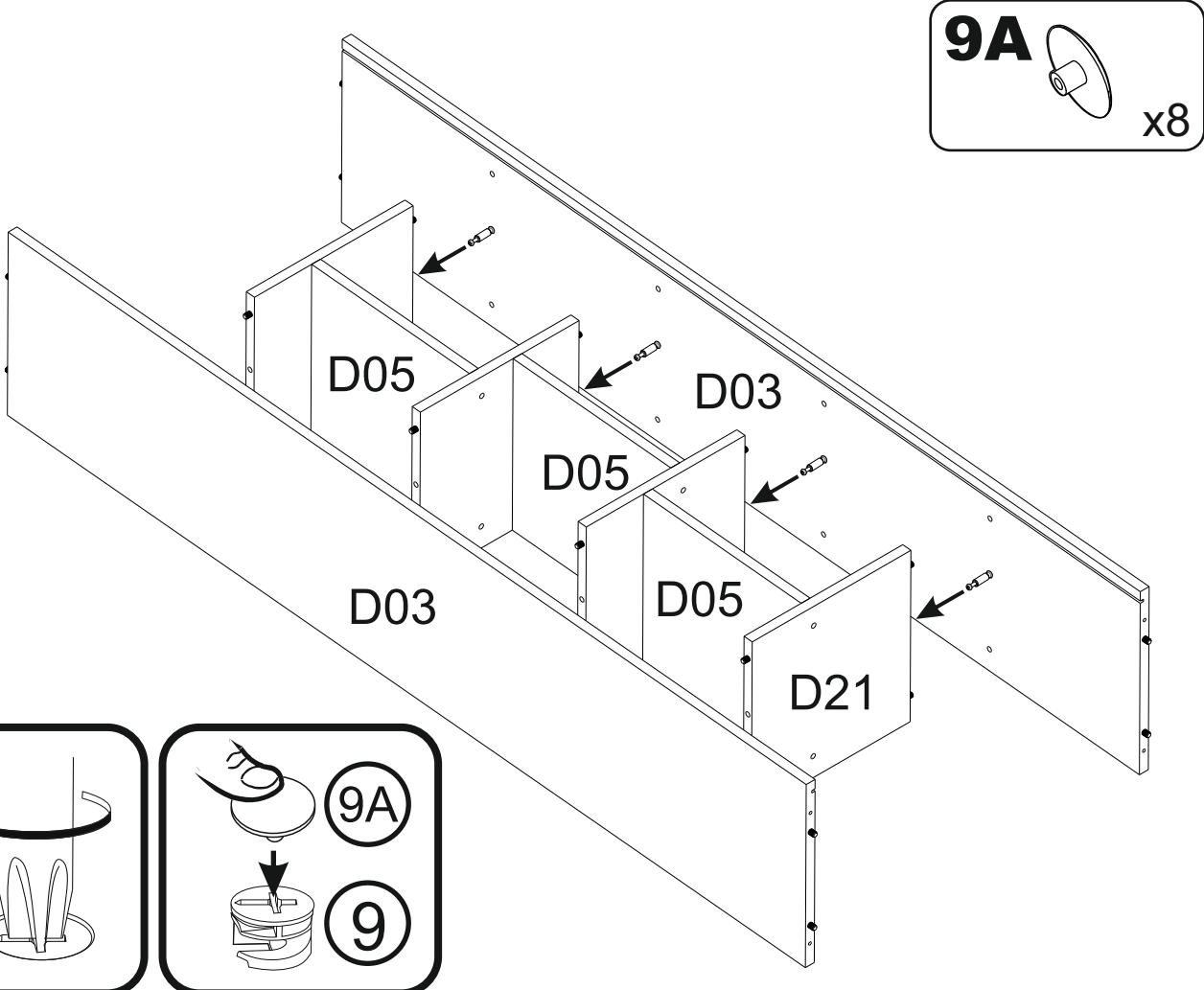



**22**  x12

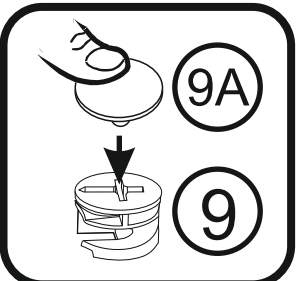
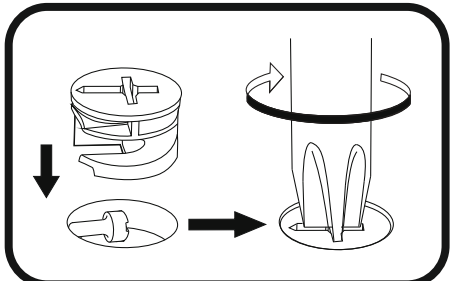
**22A**  x12



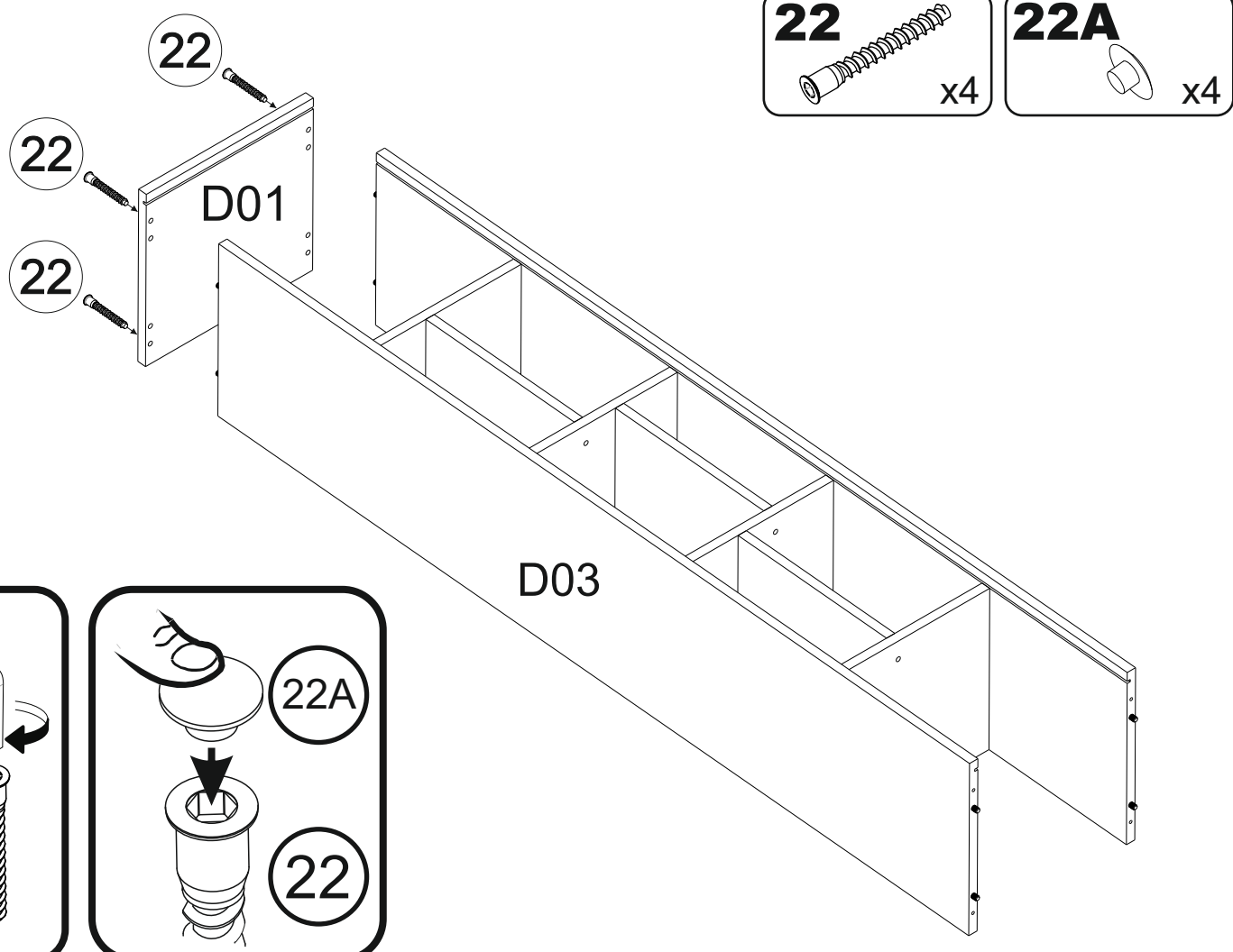
# 4



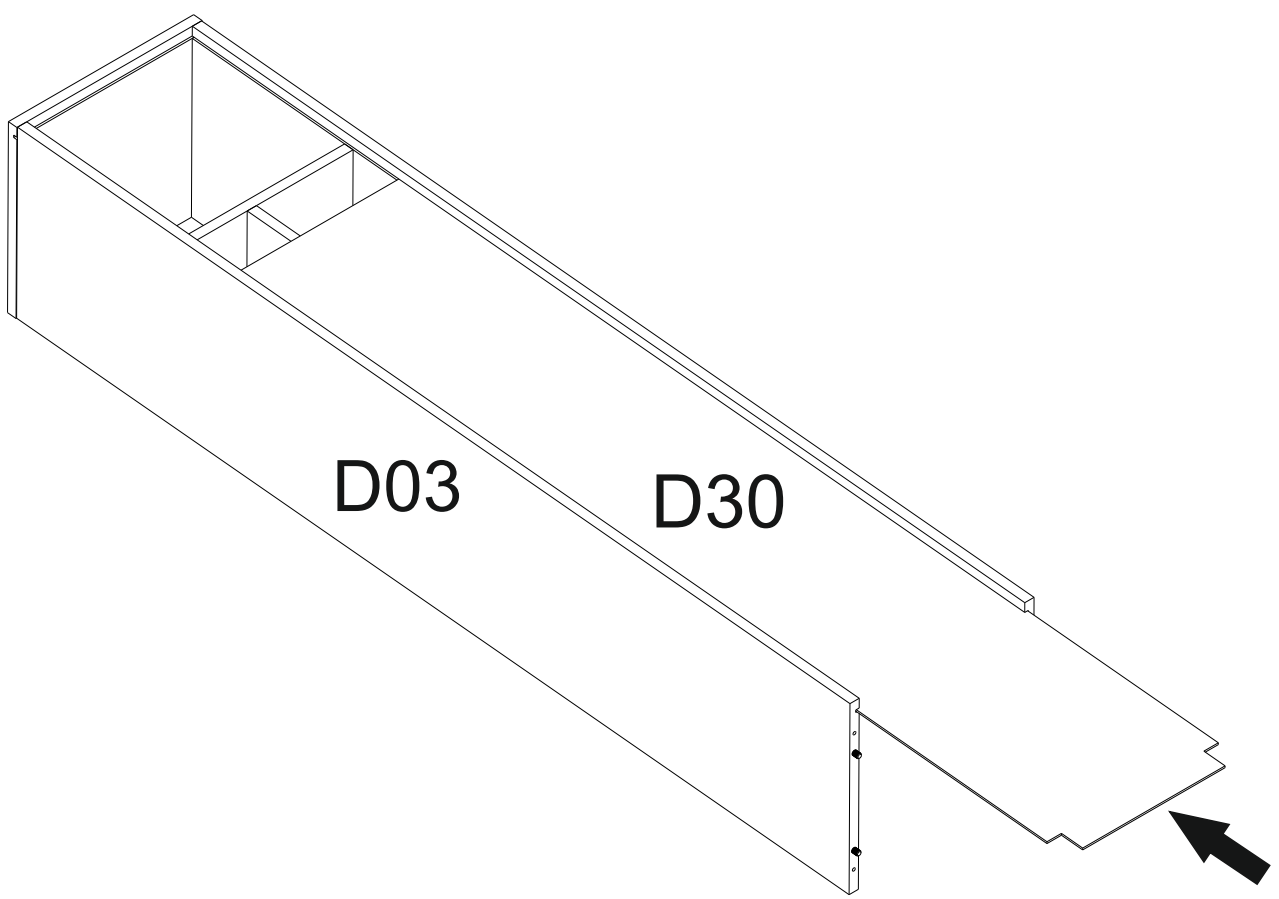
**9A**  x8



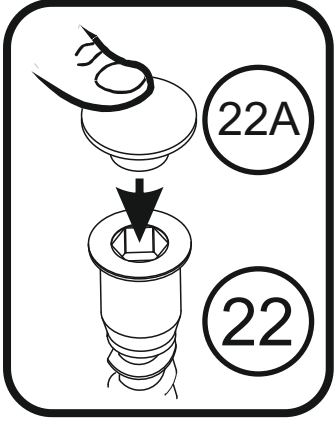
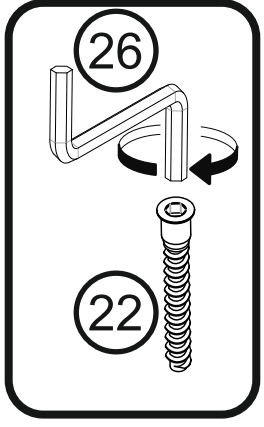
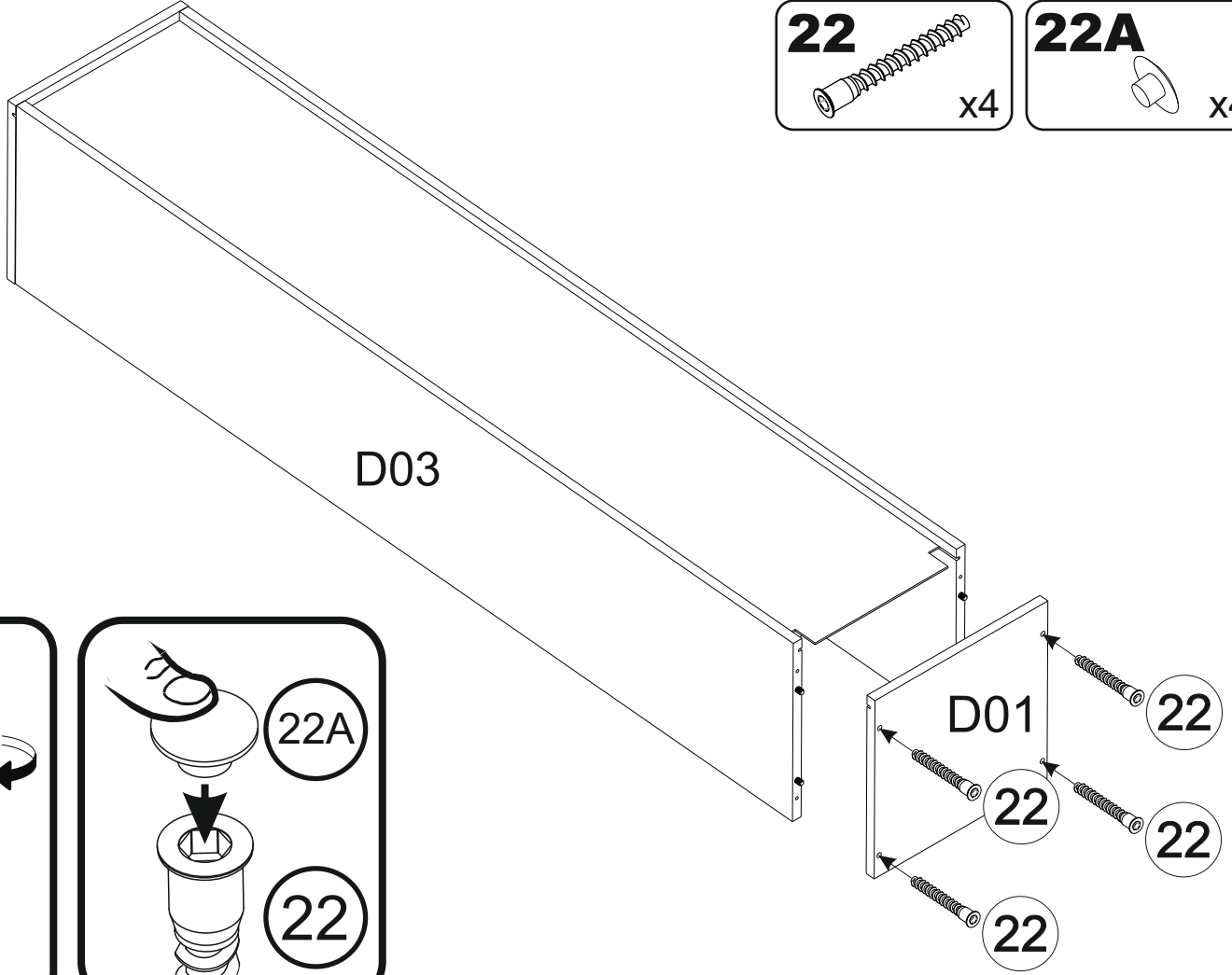
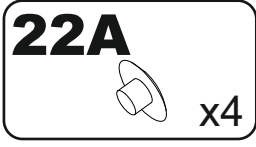
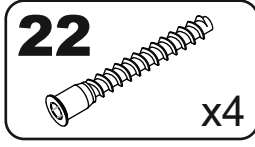
5



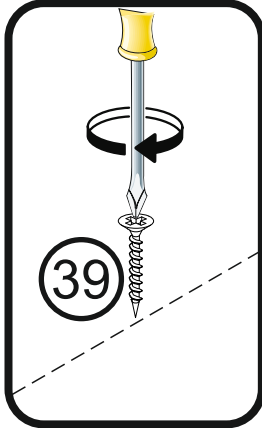
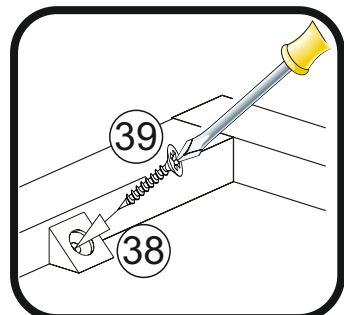
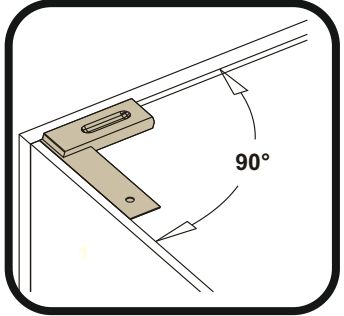
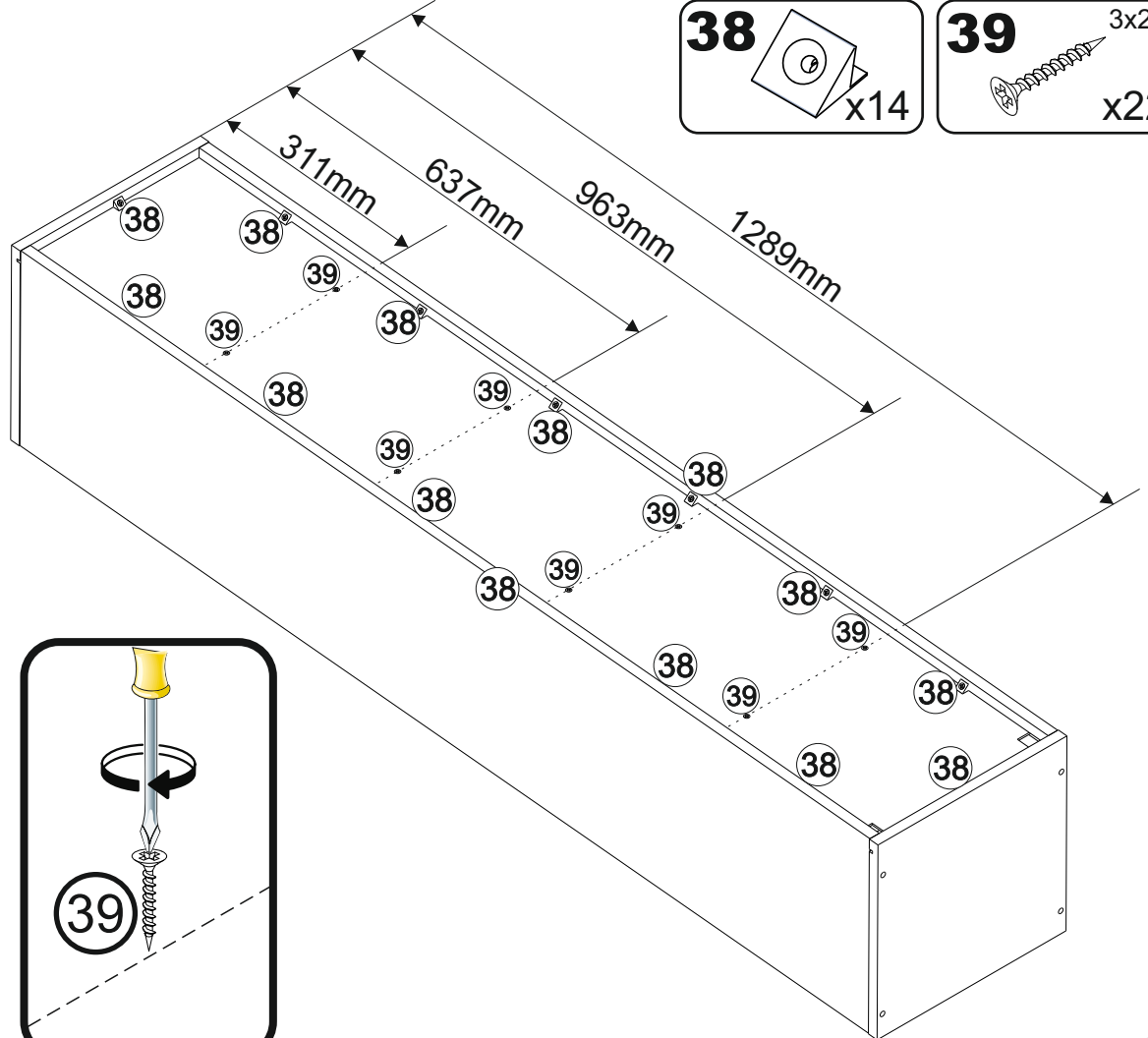
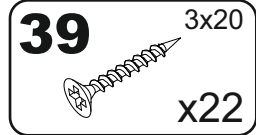
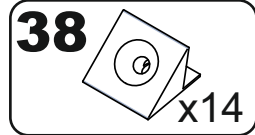
6



7

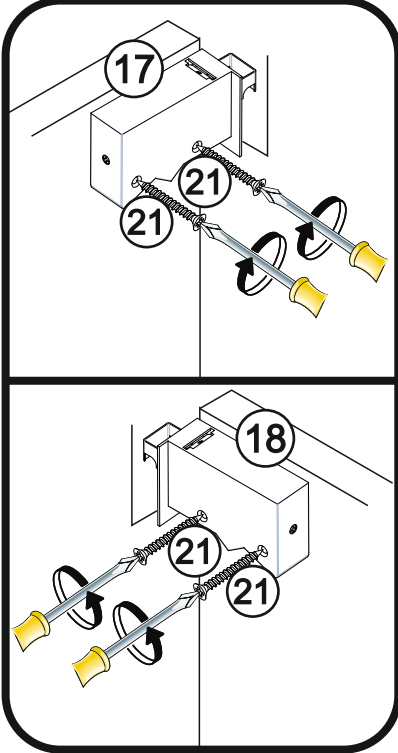
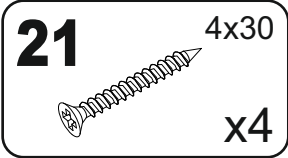
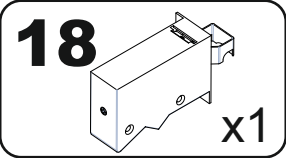
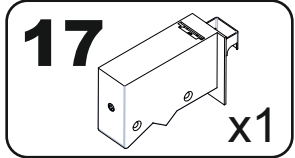
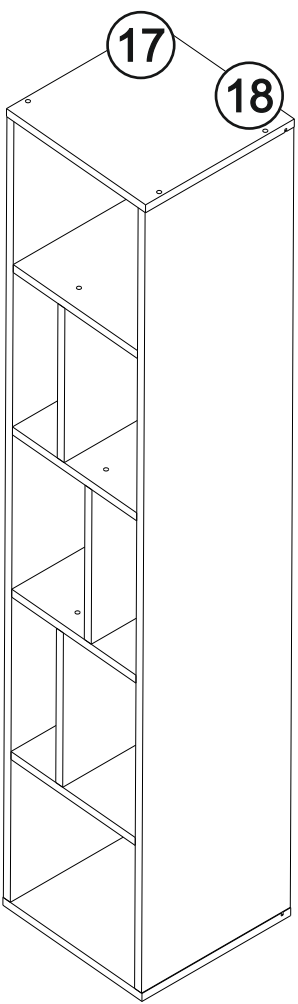


8





# 9



# 10

